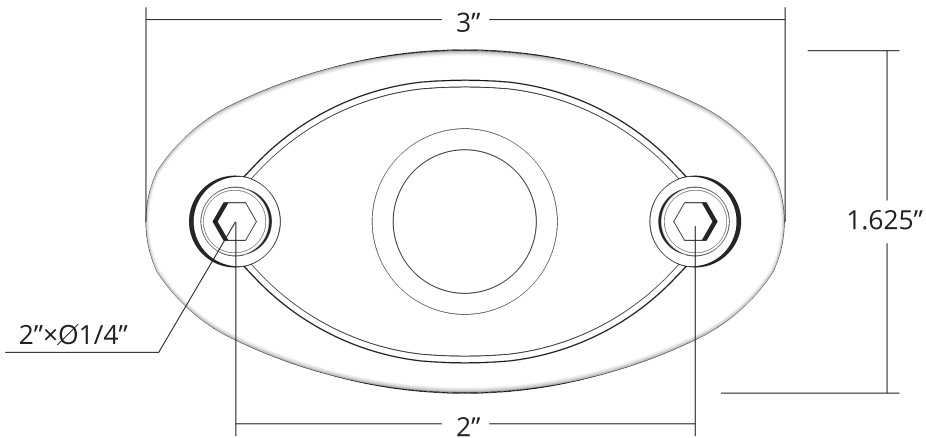


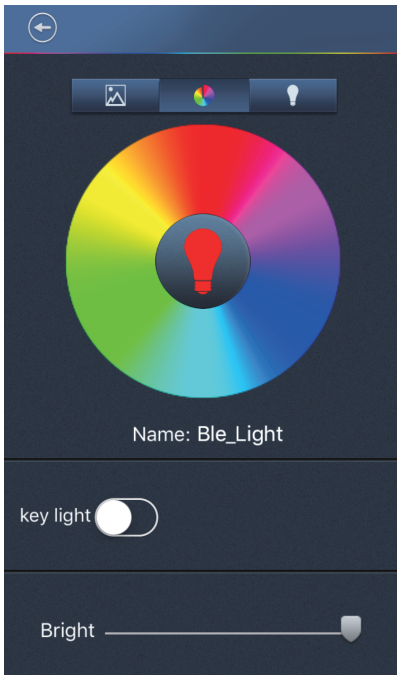
LED ROCK LIGHT POD AND CONTROL BOX DIMENSIONS



HOW TO USE THE APP

TUNER168 APP BUTTONS

Once you've downloaded the Tuner168 App, you will then turn on your Smartphone's Bluetooth connection and connect to the app by clicking the Scan button to select your Rock Light Connection. You can use the App for up to 30 feet away from your vehicle.



Tuner168 App Buttons:

1. Click Top Left Menu Tab Icon
2. Select the Light List button
3. Click on the Ble_Light (OPT7 Rock Lights)
4. Click Connect at the top right of the screen
5. Begin using the color wheel to change the LED colors

Other Menu Settings:

Scene Modes:

Click on the preset scene mode settings to enjoy a colorful light show synced with your rock lights.

Music Mode:

Click the top right file button to connect to your phone's music files and have your light SoundSync™ LEDs match to the beats.

Clock Mode:

Set up a timer for your Rock Lights turn on or off at specific times.

User Guide:

Find all information on every setting in the app.

ROCK LIGHT FREE DOWNLOADABLE APP

Download the free Tuner168 app by taking a photo of the QR Code below, or go to either of these links:



iOS
<https://itunes.apple.com/us/app-pod/%E8%93%9D%E7%89%99%E7%81%AF/id954958352?mt=8>



Android
https://play.google.com/store/apps/details?id=com.tuner168.ble_light&hl=en

OPT7

AURA LED ROCK LIGHT INSTALL GUIDE

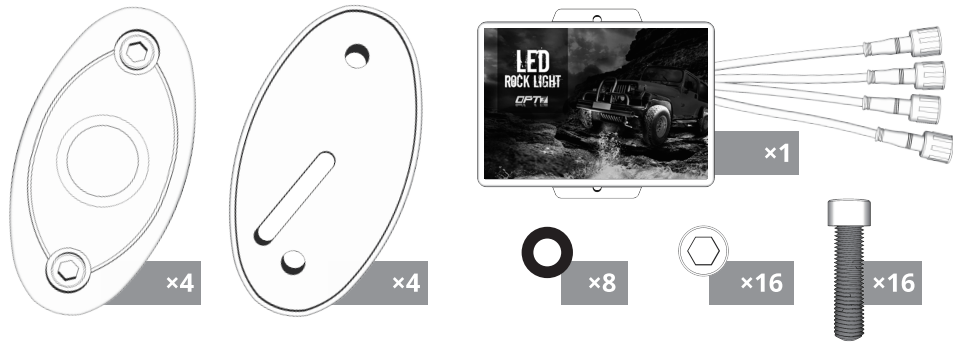


**Rock Light Durable DIY Design
Bluetooth Control Features
Downloadable QR Code for Smartphone
Simple to Follow Installation Guide**

SPECIFICATIONS

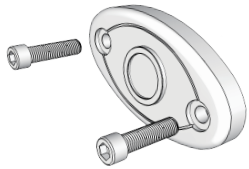
Watts	16W
Amp Draw	1.2A
12 LEDs	3 Tri-Core Cree per pod
Raw Lumens	3,600 (All 4 Pods Combined)
Voltage	10-30V
Waterproof IP Grade	IP67
Operating Temperature	65-120F

WHAT'S INCLUDED



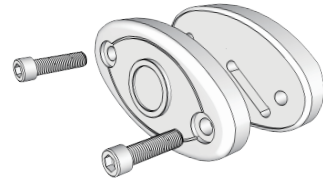
TWO WAYS TO MOUNT

FLAT INSTALL WITHOUT RUBBER MOUNT



1

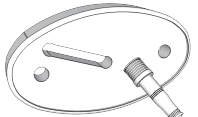
ROUND INSTALL WITH RUBBER MOUNT



2

ROCK LIGHT POD FITMENT STEPS

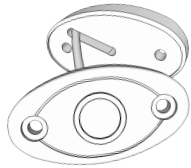
Force power wire from pods through the rubber mounts



*Very snug fit so you will have to force the end cap through the hole

1

Make sure the pods are flush with the rubber mounts



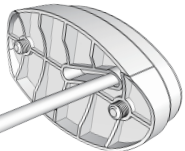
2

Begin inserting the screws into the screw holes



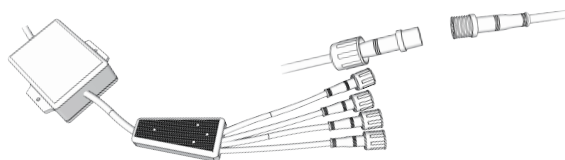
3

Now you're ready to mount the pods onto your vehicle



4

Once the pods are mounted, connect each pod power line to the fuse box power line ends and tighten the caps together with your fingers



5

Remember, the rock light pods become extremely hot when in use, so you will not want to install the pods or control box underneath or on any sensitive material or power lines under your vehicle for safety.

WHERE TO INSTALL

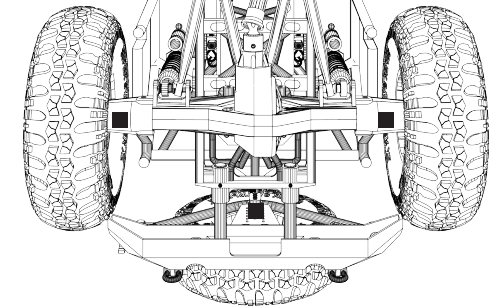
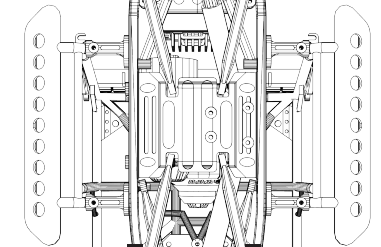
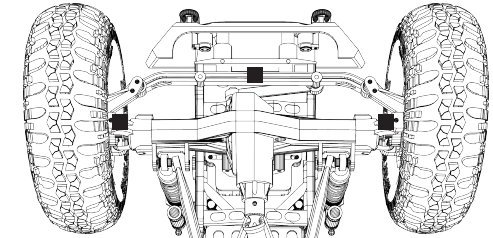
INSTALLATION STEPS

1. Choose the mounting locations for each of the LED pods and the control box. Please refer to your vehicle's owner's manual for safe areas to install additional lighting and wiring.
2. Determine where the wires will run through. If needed, drill a hole(s) for the wire connector to pass through.
3. Mark and begin drilling each mounting hole with a 5/32" drill bit.
4. Install the LED Pods by themselves for a flat install or with the Rubber Mounting Pads for rounded surfaces.
5. Insert the two 25mm Screws through the LED Pod screw holes and Rubber Mounting Pad.
6. Secure the Screw and Pods with the Washers and Nuts to install flush with the drilled holes.
7. Secure the Pods by tightening the Screws for a snug fit away from any wiring or moving parts. Caution: The Pods become very hot during use, which can cause severe damage to any electrical, rubber, or moving parts that are exposed and too close to your Pods. Keep Pods away from any parts that can be damaged by extreme heat exposure.
8. Connect all of the Pod Cables to the Splitter Cable and secure by screwing locking the collars from the Splitter Cable. Secure the Caps by tightening the end connections with your fingers.
9. Connect both sets of Splitter Cable input wires to the vehicle electrical system using additional power wire and fuse with fuse holder. Red is positive (+). Black is negative (-).
10. Once the Pods and Control Box electrical wiring are all safely connected to your vehicle's electrical system, you can now begin using the Rock Light Pods with the Bluetooth App on your Smartphone. Feel free to share a review of your installation with info about your exact off-road vehicle so other customers understand too! Rock on!

TOOLS REQUIRED

- 2.5mm Allen wrench
- 7mm wrench or socket
- 5/32 inch drill bit

FRONT



REAR

■ Rock Light Pods Recommended Locations

For questions or concerns about your Aura Rock Lights or its 2 Year Warranty, please contact the OPT7 Customer Support Team at support@opt-7.com. Or visit OPT-7.com. Please allow 1-2 business days for us to reply to your email.