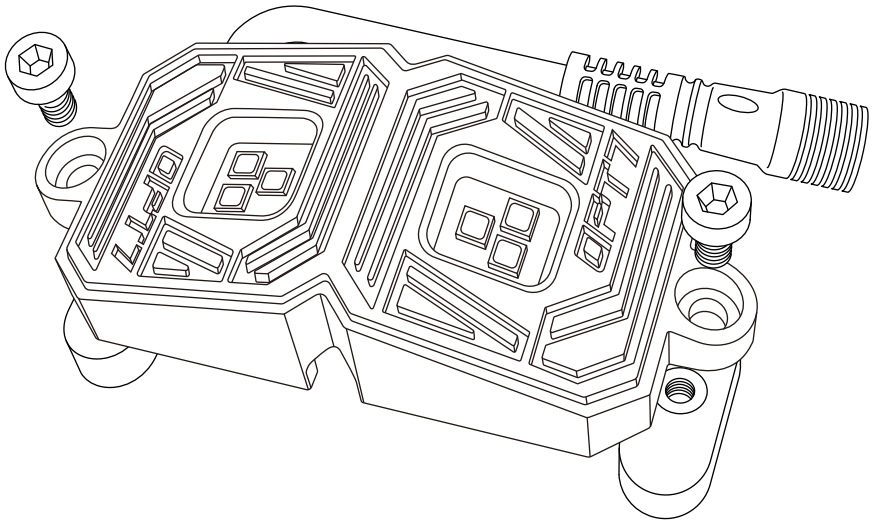


OPT7[®]

PHOTON

RGB ROCK LIGHTS

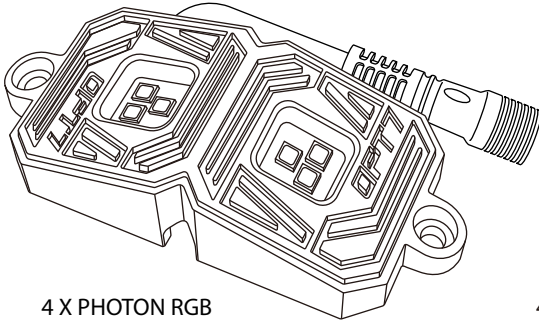
INSTRUCTION MANUAL



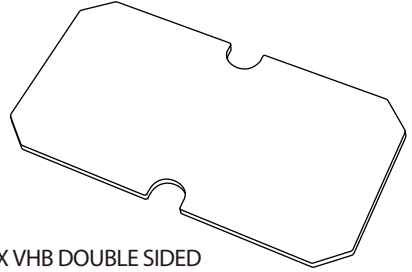
SPECIFICATIONS

Input Voltage	DC 12V
Input Power	Max 9 Watts per pod
LED Color	6pcs - RGB per pod
Raw Lumens	600 LM (4 Pods Combined)
Waterproof	IP68
Operating Temperature	-5°F - 120°F

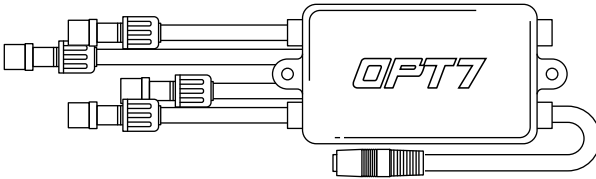
MAIN COMPONENTS



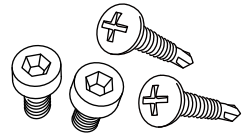
4 X PHOTON RGB
ROCK LIGHT POD



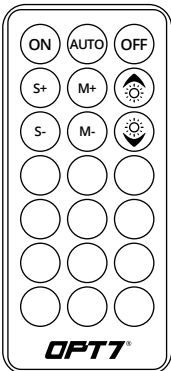
4 X VHB DOUBLE SIDED
ADHESIVE TAPE



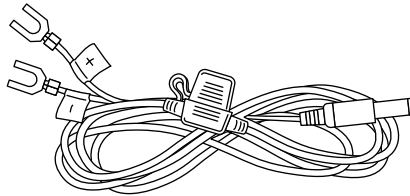
CONTROL BOX



16 X MOUNTING SCREWS



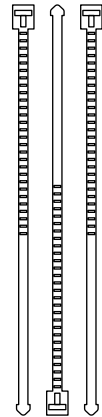
EZ-REMOTE



1 X HARDWIRE POWER HARNESS



4 X 10FT EXTENSION WIRE

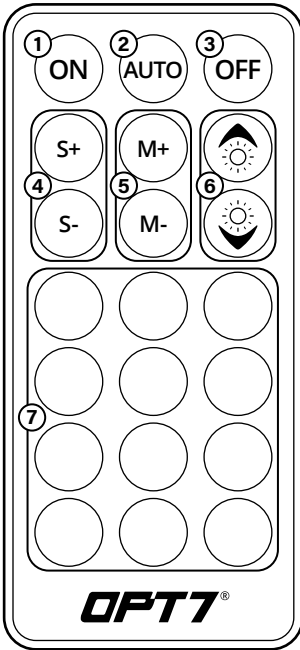


30 X ZIP-TIE

REMOTE CONTROL

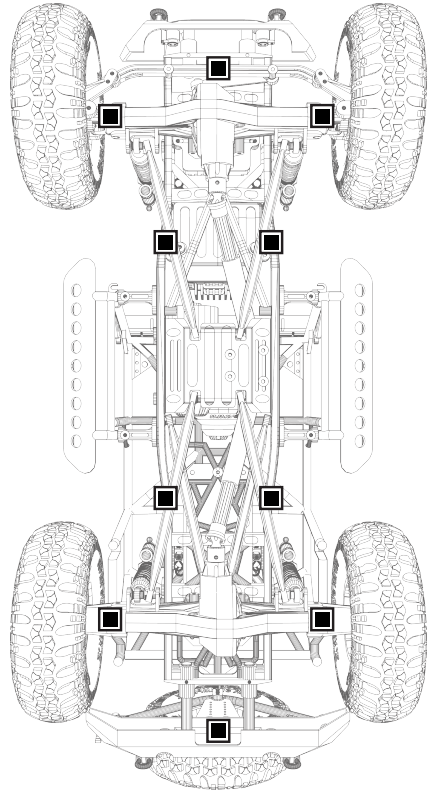
WHERE TO INSTALL

BUTTON LAYOUT



- 1 | Power-ON
- 2 | Automatic Color Change
- 3 | Power-OFF
- 4 | Speed +/- 8 Levels
- 5 | Mode +/- 19 Mode
- 6 | Dimmer 8 Levels
- 7 | Color Selection 12 Colors

FRONT



REAR

- Recommended locations for Rock Light Pods

3 WAYS TO MOUNT THE ROCK LIGHT POD

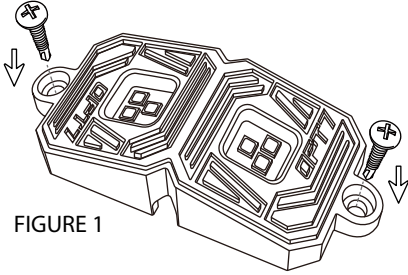


FIGURE 1

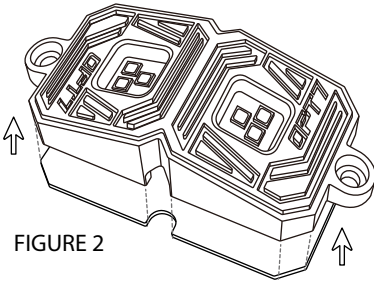


FIGURE 2

STEP 1

There are 3 installation methods for you to choose, you can refer to the following methods to install.

- OPTION 1 Use "Self-Drilling Screws" for mounting as shown in Fig. 1
- OPTION 2 Use "VHB Double-Sided Adhesive" for mounting as shown in Fig. 2

IMPORTANT: Before starting installation, we recommend that all rock light pods be checked to ensure that all functions are working properly.

STEP 2

Designate your mounting locations for each Rock Light Pods and the Control Box. (Refer to Page 3 for RECOMMENDED MOUNTING LOCATIONS)

IMPORTANT: Avoid hot surfaces and / or moving parts.

STEP 3

Start installing the LED Pods onto your vehicle. If any excess wiring are exposed during installation process, you must use the zip-ties to securely tie them together and tuck the wire into the junction area to avoid snagging or damage wires.

STEP 4

Once the pods and wires are all safely installed onto your vehicle, you can now begin to use your Photons!

Feel free to share a review along with a photo of installations so others users like yourself can enjoy the OPT7 Off-Road too! Rock on!



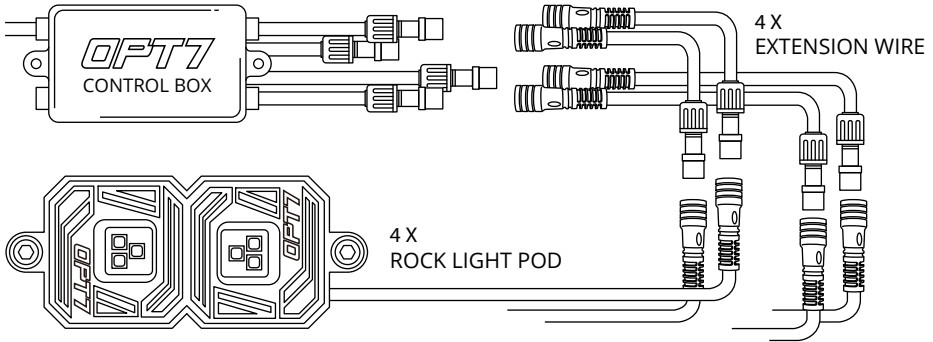
CAUTION

Rock Light Pods become extremely hot during use-keep away from any vehicle parts that may be damaged by exposure to high temperatures.

OPT7

HOW TO INSTALL THE CONTROL BOX

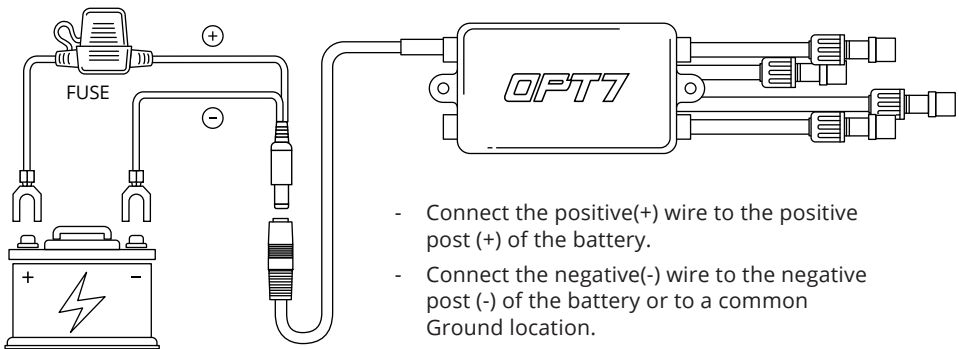
STEP 1 As show below, connect all the Rock Light Pods to the control box with the included extension wires.



CAUTION

Avoid installation areas of the engine bay + heated surfaces.

STEP 2 Find a constant 12-volt power source to power the rock lights. For details refer to the instructions below:



WARNING

1. Connecting to more than 10 AMP will override the kit and cause early failure, ensure it is 10AMPS or less!!
2. Please ensure that the LED bars or strips/control box/wiring all are mounted in areas where will not exceed 85°C or 185°F.



If you are uncomfortable performing work of this nature yourself, then do not hesitate to consult a professional for help. Working with a vehicle's electrical system can be hazardous to an unqualified individual. OPT7 is not liable for damages or personal injuries while installing this product. The installation guide is provided as assistance to reduce set up time.

DISCLAIMER

OPT7 Lighting is not liable for damages or personal injuries while installing this product. The Installation Guide is intended as assistance to reduce setup time. OPT7 Lighting assumes no responsibility for improper installation. If you are unfamiliar with your vehicle or inexperienced with aftermarket upgrades, please seek professional assistance.