

AURA™ PRO

SNOWMOBILE

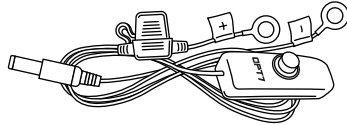
BLUETOOTH OPT7 GLOW APP & REMOTED CONTROLLED

INSTALLATION GUIDE

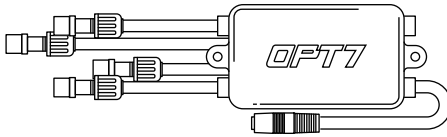
COMPONENTS



LED LIGHT STRIPS



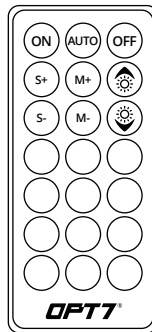
POWER HARNESS WITH ON/OFF SWITCH



AURA CONTROL BOX (SCAN QR CODE FOR APP USER GUIDE)



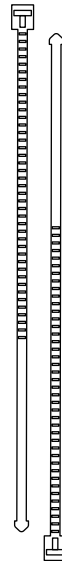
CONVERTER



HAND HELD REMOTE



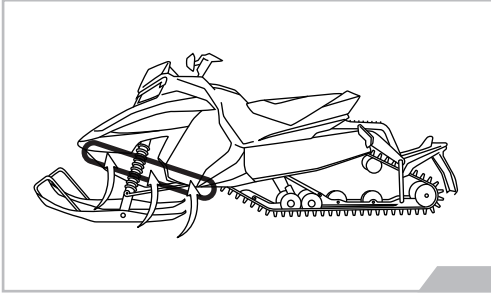
EXTENSION WIRES-2



ZIPTIES

INSTALLATION

STEP 1 Inspect kit to ensure all contents was included.

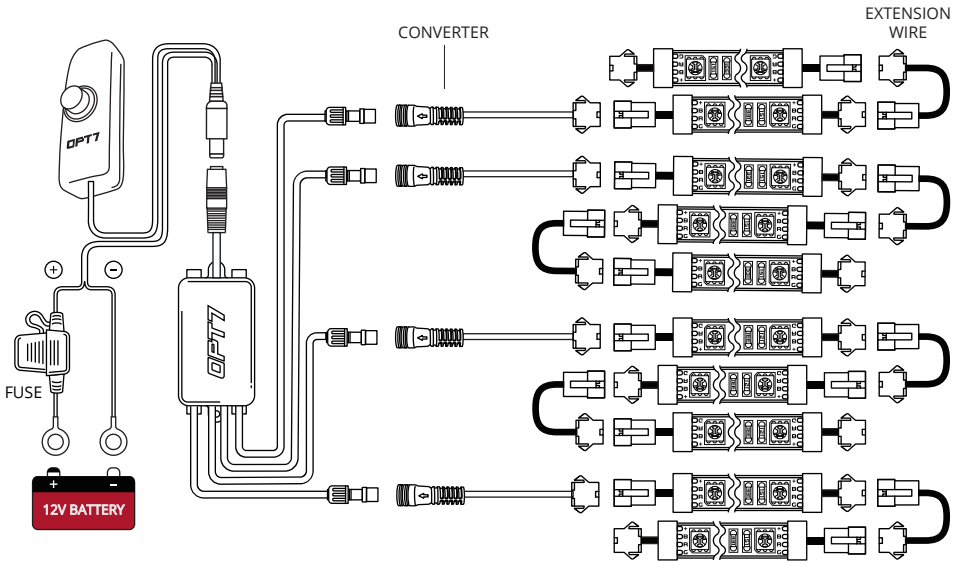


STEP 2

Decide where to locate the light strips and ensure wiring has enough length for control box to be installed in desired location.

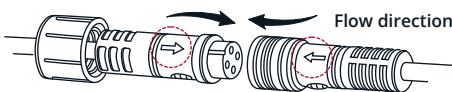
IMPORTANT NOTE!! Before You Start

We provide multiple sets of extension wires for you to configure. You can quickly extend them wherever you want to install.



⚠ IMPORTANT ⚠

**BE SURE TO CONFIRM THE CORRECT DIRECTION OF THE ARROW!!
TO AVOID PRODUCT DAMAGE DUE TO INCORRECT INSTALLATION.**



CORRECT INSTALLATION



Note the
direction of
the arrows

INSTALLATION

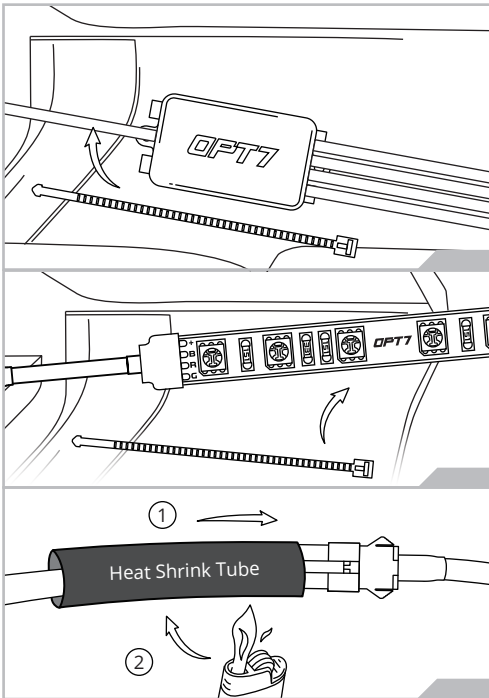


WARNING

1. Connecting to more than 10 AMP will override the kit and cause early failure, ensure it is 10 AMP or less!!
2. Please ensure that the LED bars or strips/control box/wiring all are mounted in areas where will not exceed 85°C or 185°F.
3. Connect only to a 12V battery. Using other voltages may cause overload and serious safety risks.

IMPORTANT

*Turning off the OPT7 GLOW completely helps avoid excessive battery consumption and extends the lifespan of the OPT7 light kits.



STEP 3

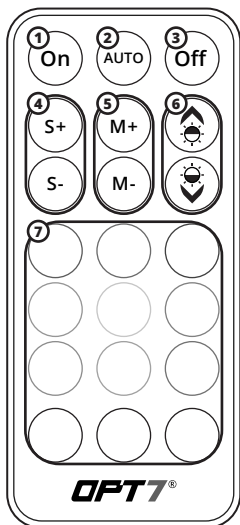
After testing, secure the control box in a desire location using the Velcro or zip-ties provided.

STEP 4

Secure the light strips using the zip ties to tie all the wiring away from the moving components.

* IMPORTANT:

The LED connectors are not waterproof. You will need to use HEAT SHRINK TUBE or ELECTRICAL TAPE around the LED connectors to ensure the longevity of the lighting kit.

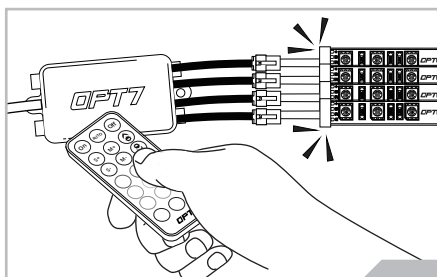


STEP 5

Using the included 21Key E-Z Remote, select your desired color or pattern.

- 1 | Power-ON
- 2 | Automatic Color Change
- 3 | Power-OFF
- 4 | Speed +/- 10 Levels
- 5 | Mode +/- 24 Mode
- 6 | Dimmer 10 Levels
- 7 | Color Selection 9 Colors

NOTE: When you use this product, keep it within 10m/33ft as much as possible.



HOW TO PAIR THE REMOTE?

Pair the Device:

To pair the remote, reconnect the power, then aim the remote at the control box and hold the ON button until the LED strips flash white.

Unpair the Device:

To unpair the remote, reconnect the power, then aim the remote at the control box and hold the OFF button until the LED strips flash white.

QR CODE TO DOWNLOAD



SCAN FOR APP

OPT7®
GLOW



Download the free "OPT7 GLOW" App

- App iOS (12+) available on App Store
- Android (8+) available on Google Play

STEP 6

Download the OPT7 GLOW to have the best experience.



Please scan to see the OPT7 GLOW user guide.

<https://wintis.ladesk.com/362302-OPT7-AURA-Glow-Application-User-Guide>

| **DISCLAIMER**

OPT7 Lighting is not liable for damages or personal injuries while installing this product. The Installation Guide is intended as assistance to reduce setup time. OPT7 Lighting assumes no responsibility for improper installation. If you are unfamiliar with your vehicle or inexperienced with aftermarket upgrades, please seek professional assistance.

OPT7 recommends installation for safety and guidance.

Modified installations or installation recommendations not specified by OPT7 Lighting will void product warranty.