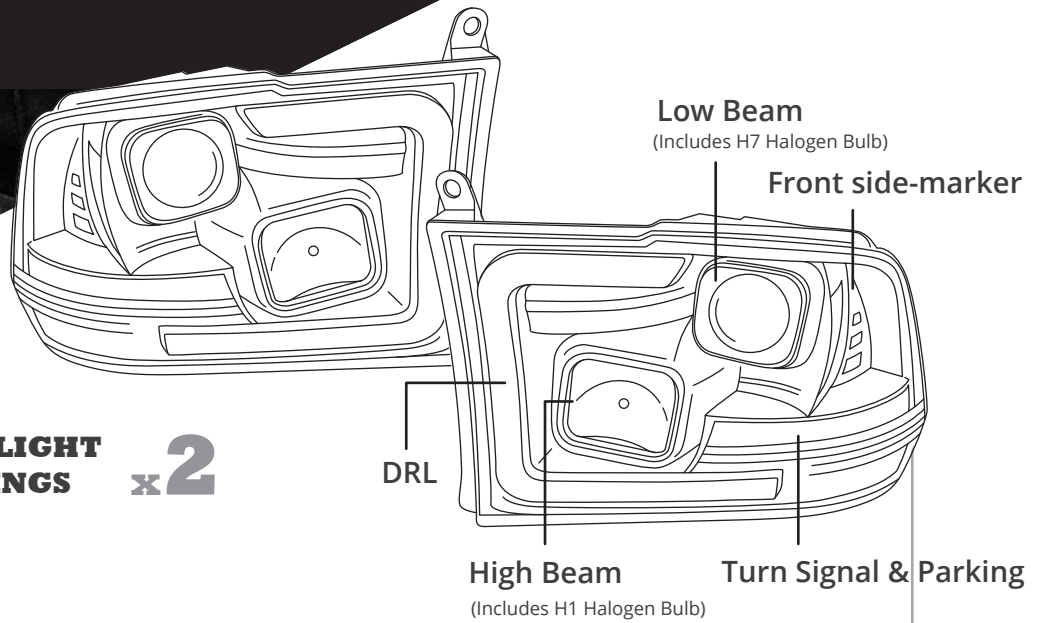


OPT7[®]

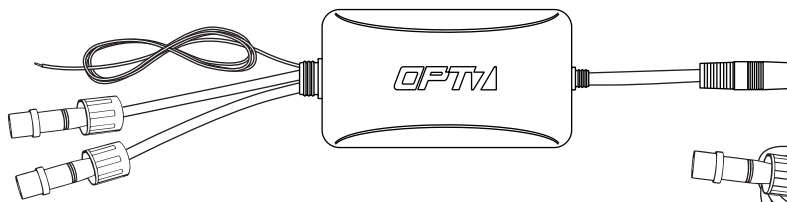
RGBW BLUETOOTH HEADLIGHTS

2009-2018 DODGE RAM

INSTALLATION MANUAL



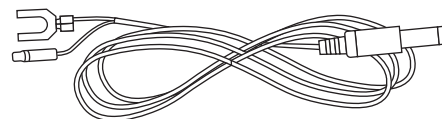
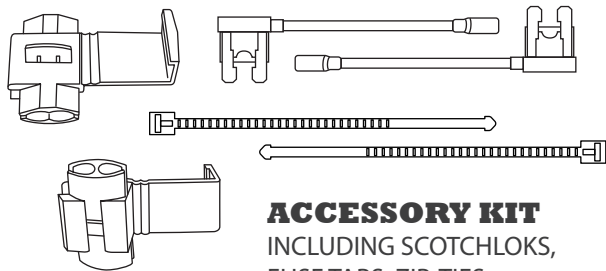
HEADLIGHT HOUSINGS x 2



BLUETOOTH CONTROL BOX x 1

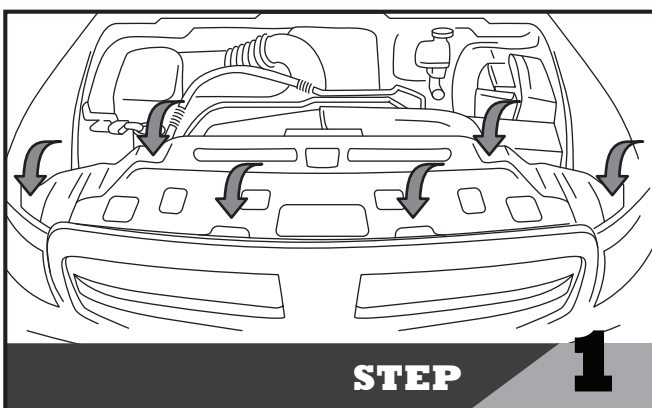
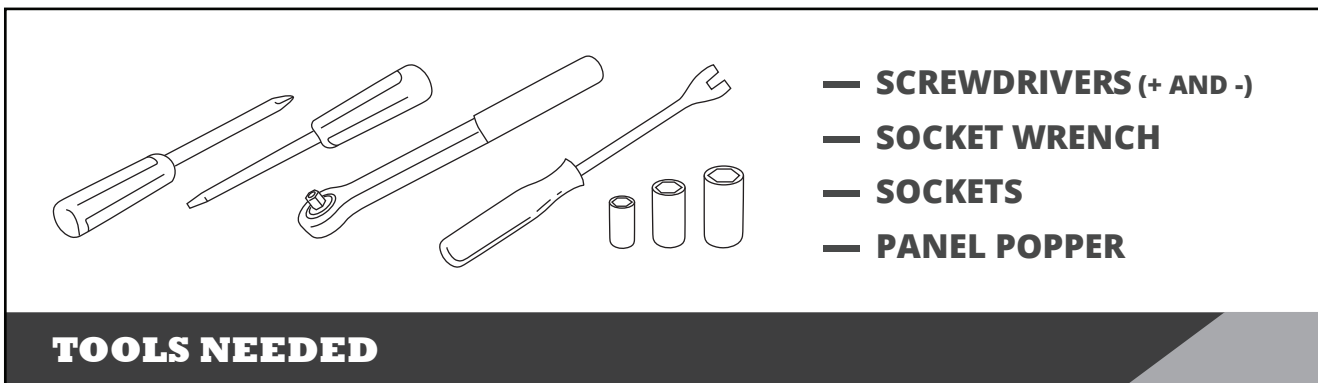


10FT EXTENSION CABLE x 1

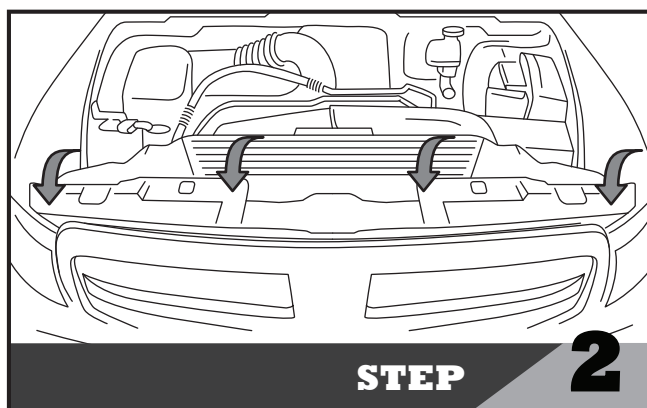


HARDWIRE POWER HARNESS x 1

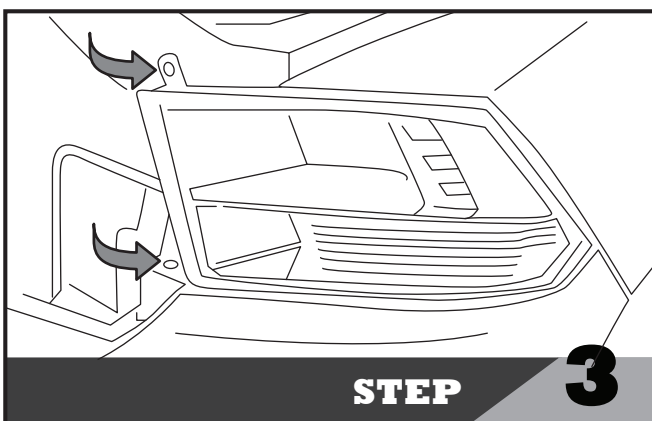
COMPONENTS



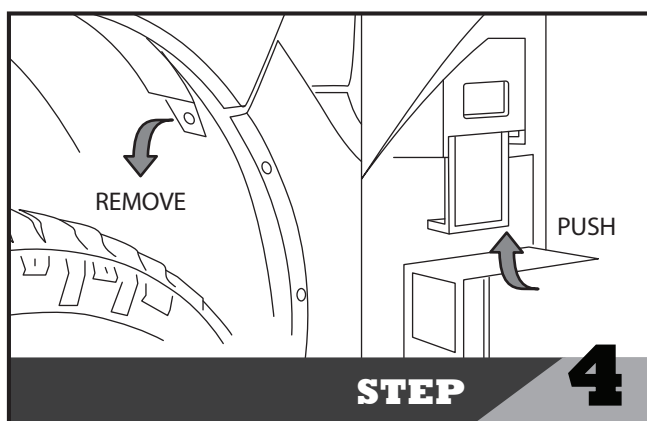
Open the hood.
Please find the 6 points marked in Figure 1 and remove the plastic fasteners (6x) from the filler panel.
Remove the filler panel.



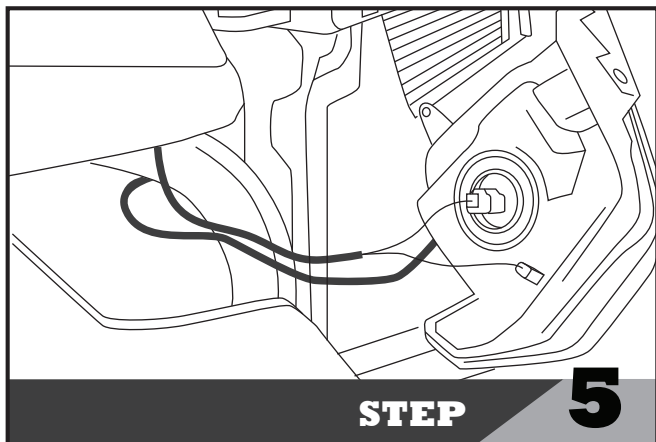
Remove the 10mm bolts (4x) from the grille as shown in Figure 2.
Next, remove the grille by lifting and pulling forward.



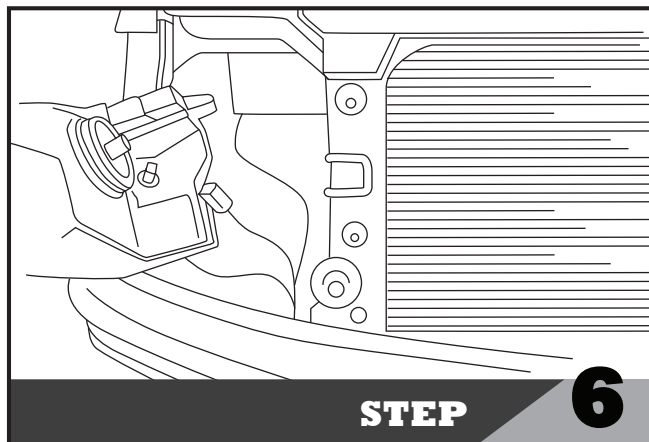
Remove the 10mm bolts (2X) from the OEM headlight as shown in Figure 3.



Remove the plastic fastener to open the access flap.
Now, let's push the white latch up to unlock and release the OEM headlight.

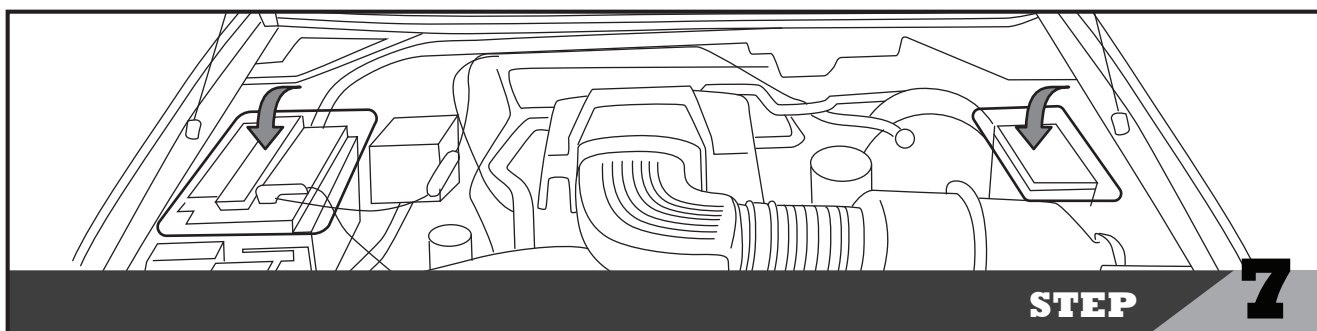


Unclip the electrical connectors on the back of the headlight housing.

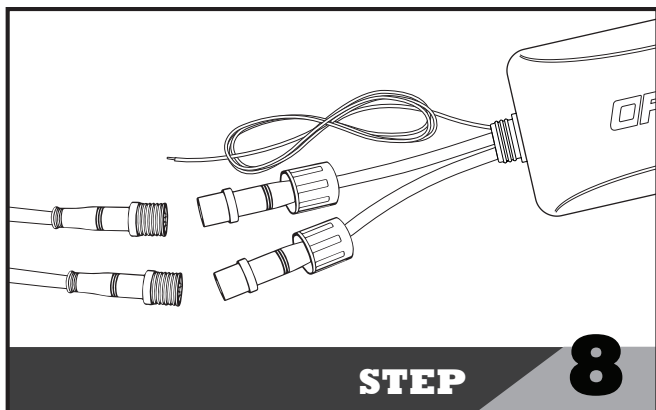


Reattach the electrical connectors to the new headlight housing.

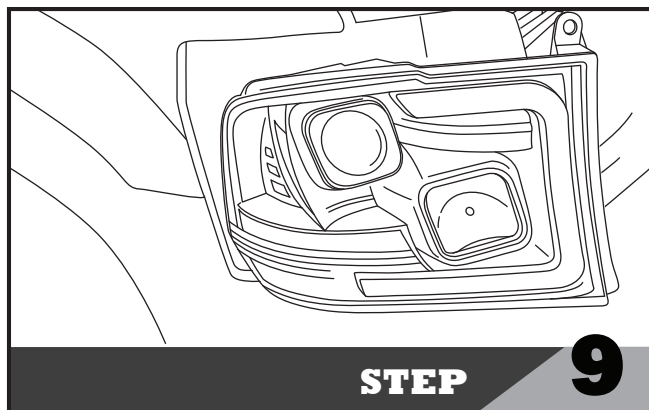
Ensure the wires are tied up securely to ensure wires are organized and store away from any metal surface.



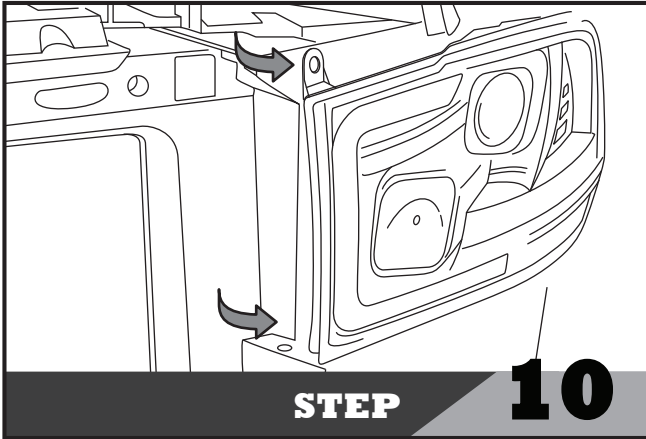
Install the Aura Control Box by connecting the positive wire for a constant on functionality (always on when battery is on) or an accessory wire (only on when the vehicle is on) which can be found in the Fuse Box. Connect the negative wire to a ground wire.



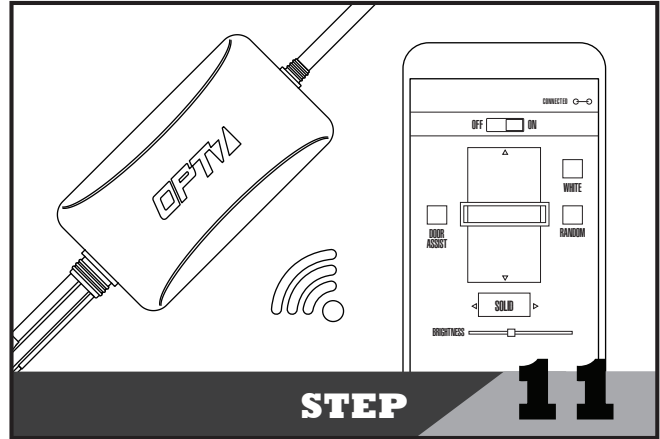
Connect the round connector from the headlight housings to the control box.



Line up the headlight housing mounting tabs and push rearward to seat it in place.



Reinstall the 10mm bolts (2X) to secure the new headlight as shown in Figure 10.




Test out your headlights using the OPT7 Connect App.


QR CODE TO DOWNLOAD

GET IT ON Google Play | Download on the App Store

SCAN FOR APP



OPT7
CONNECT



Download the free "OPT7 CONNECT" App

- App iOS (12+) available on App Store
- Android (6 +) available on Google Play

OPT7 CONNECT APP

- Colors
- Modes
- Door Assist
- Support
- Ability to control up to 4 devices at once

DISCLAIMER

OPT7 Lighting is not liable for damages or personal injuries while installing this product. The Installation Guide is intended as assistance to reduce setup time. OPT7 Lighting assumes no responsibility for improper installation.

If you are unfamiliar with your vehicle or inexperienced with aftermarket upgrades, please seek professional assistance.