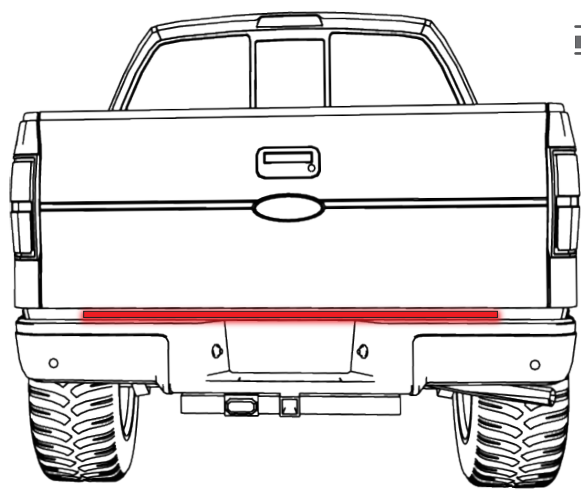


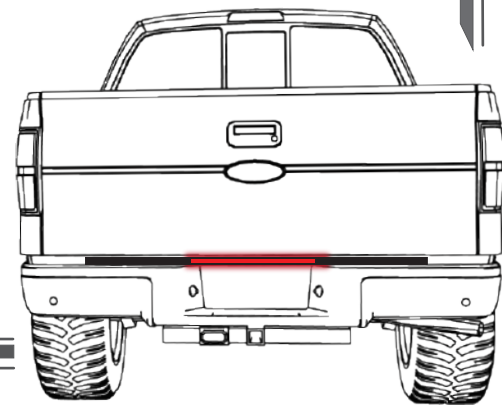


# FLEXIBLE SINGLE ROW LED LIGHT TUBE

## INSTALLATION GUIDE

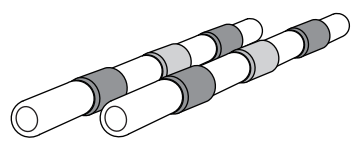


**DRL MODE**

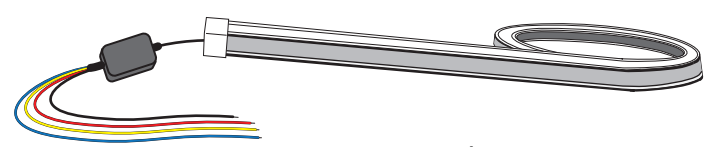


**BRAKE LIGHT  
MODE**

## WHAT'S INCLUDING

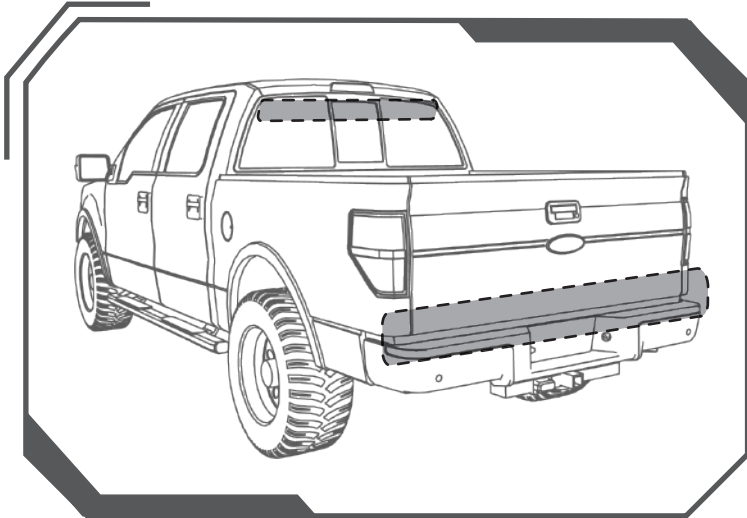


Heat Shrinkable  
Connector







48" LED Light strips  
with Control Box

# INSTALLATION



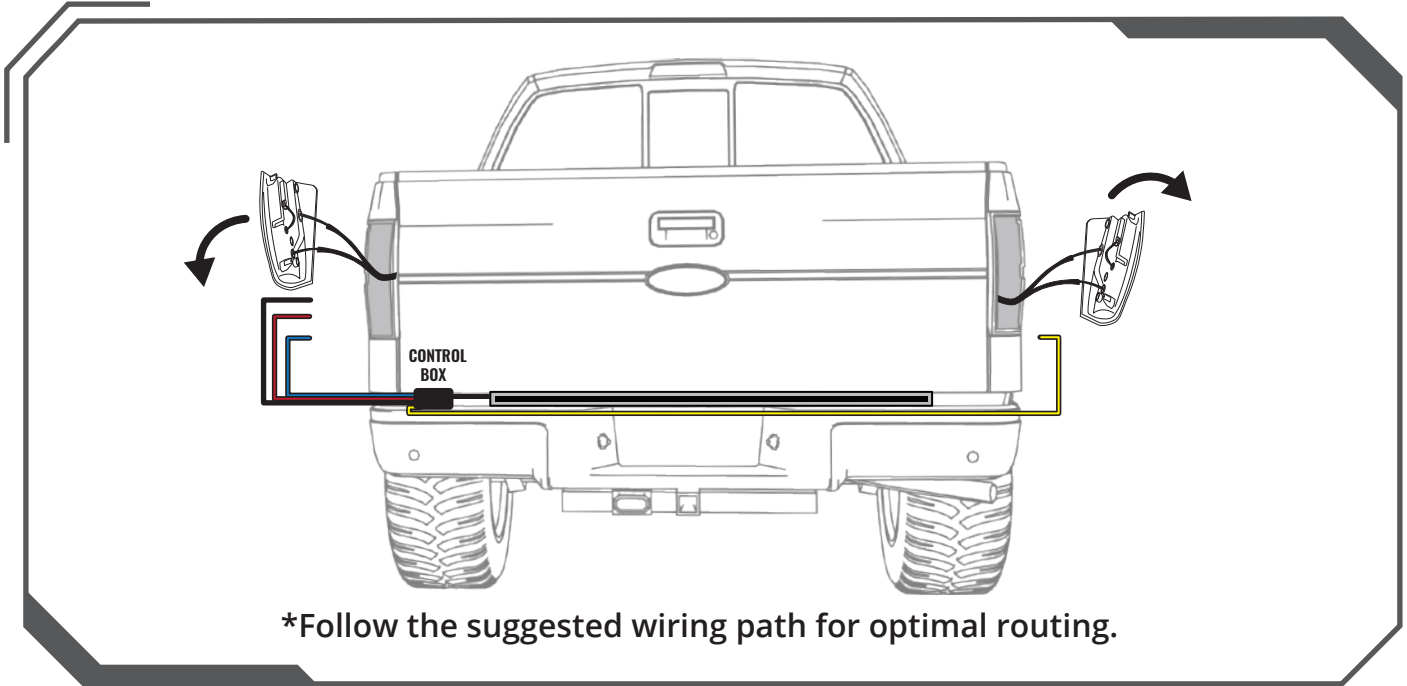
## STEP 1

Choose an appropriate location for installing the DRL LED Light Strip. We recommend mounting the light on the vehicle's tailgate or rear window for optimal placement.

-  **Connect to the negative**
-  **Connect to the positive**
-  **Connect to the left brake**
-  **Connect to the right brake**

## STEP 2

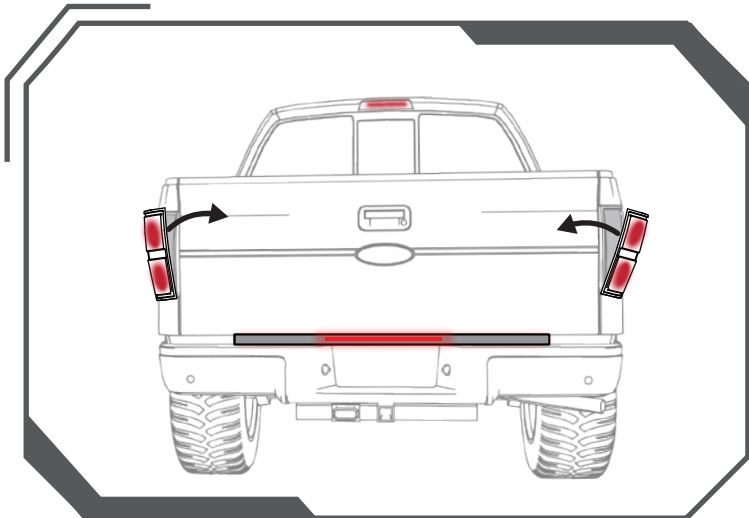
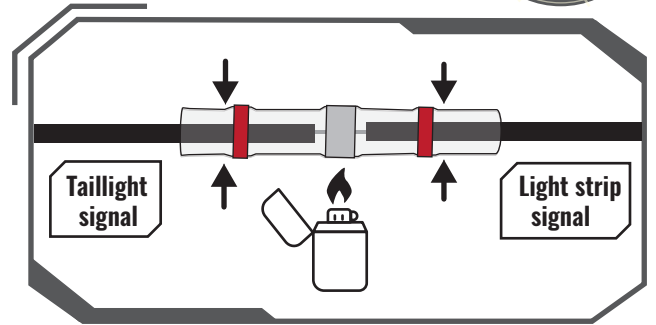
Refer to the provided wiring diagram. Remove the tail light and connect the light strip to the corresponding signal wires inside the tail light housing.



# INSTALLATION

Use the included heat shrink connectors to securely connect the signal wires between the light strip and the vehicle's lighting system. To ensure a proper connection, overlap the wires so they make contact. Once the wires are aligned, use a heat source to carefully shrink the connector, ensuring a tight and secure connection.

## STEP 3



## STEP 4

Verify that both the vehicle and light strip are functioning properly. Once confirmed, reinstall the tail lights.

# DISCLAIMER

OPT7 Lighting is not liable for damages or personal injuries while installing this product. The Installation Guide is intended as assistance to reduce setup time. OPT7 Lighting assumes no responsibility for improper installation. If you are unfamiliar with your vehicle or inexperienced with aftermarket upgrades, please seek professional assistance.

OPT7 recommends installation for safety and guidance.  
Modified installations or installation recommendations not specified by  
OPT7 Lighting will void product warranty.