

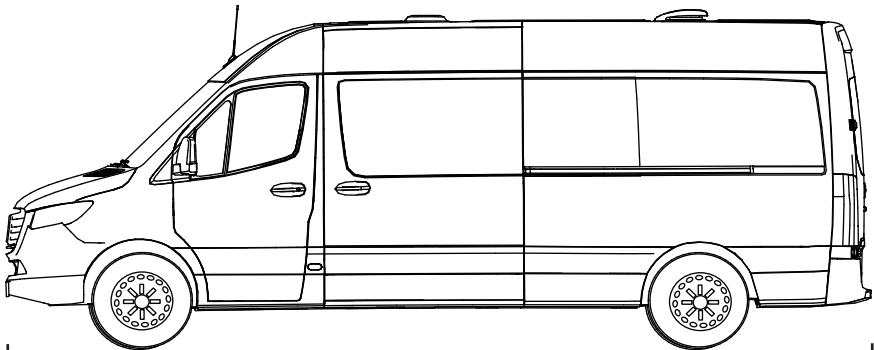
AURA™ GLOW

DREAMCOLOR

UNDERGLOW

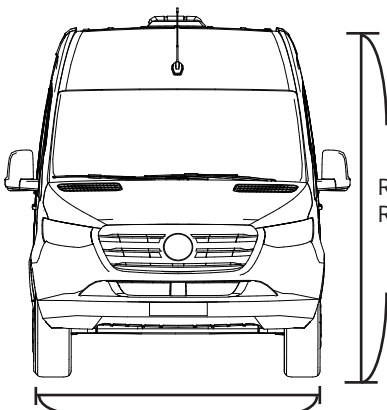
RV CLASS B/B+

INSTALLATION GUIDE



RV Class B : 19~23 ft

RV Class B+: 19~24 ft

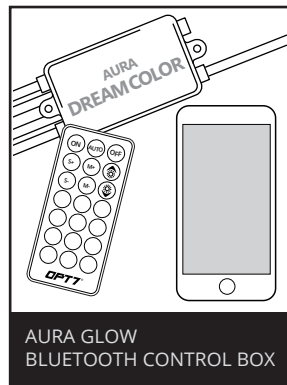


RV Class B : 10 ft

RV Class B+: 11 ft

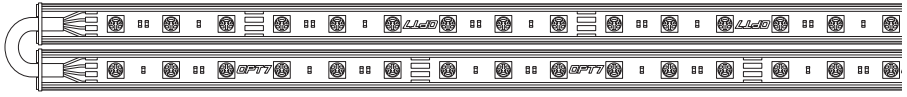
RV Class B : 7 ft

RV Class B+: 8.1 ft

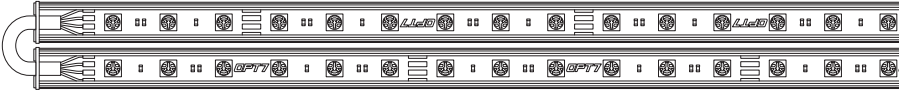


AURA GLOW
BLUETOOTH CONTROL BOX

MAIN COMPONENTS



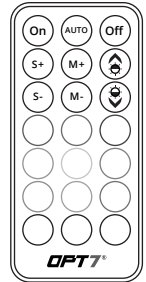
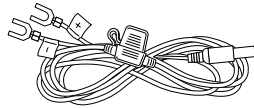
A RIGID LIGHT BARS 3x36" (TWO-SECTION MOVABLE 18")



B RIGID LIGHT BARS 2x48" (TWO-SECTION MOVABLE 24")

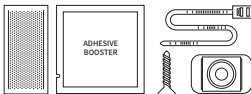


C **D** RIGID LIGHT BARS 2x18"



CONTROL BOX (SCAN QR CODE FOR APP USER GUIDE)

HARDWIRE POWER HARNESS



INCLUDES -
WIRE MOUNTS,
SELF-TAPPING SCREWS,
BOOSTER, VELCRO, ZIP TIES

MOUNTING KIT

HAND HELD REMOTE

INSTALLATION

STEP 1

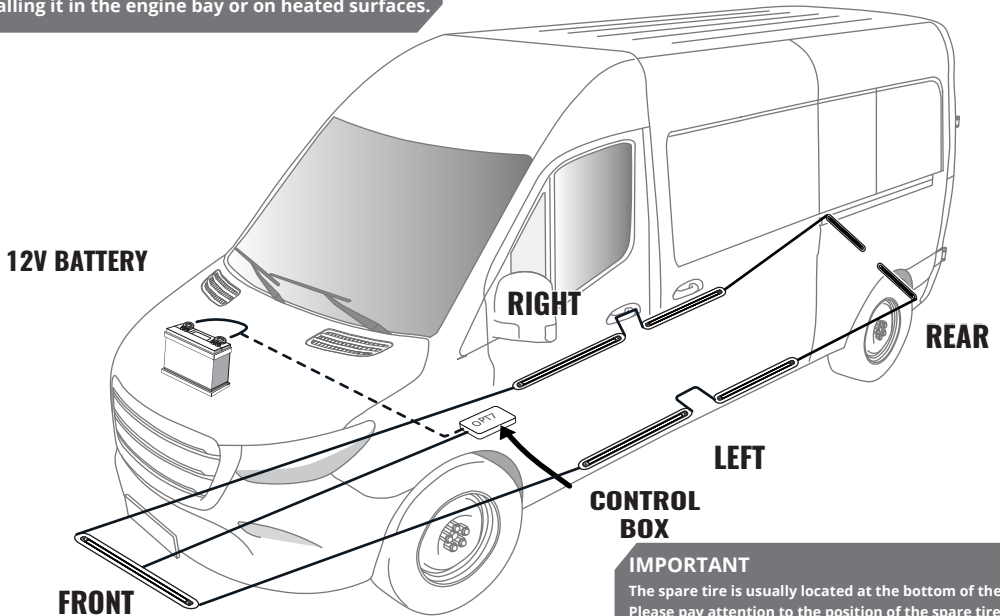
Inspect the kit has all the contents included and power the unit to test the light's functionalities properly with the 12 volt adapter provided.

INSTALLATION

STEP 2 Determine where to locate the control box and ensure wiring has enough length for light bars to be installed in desired location.

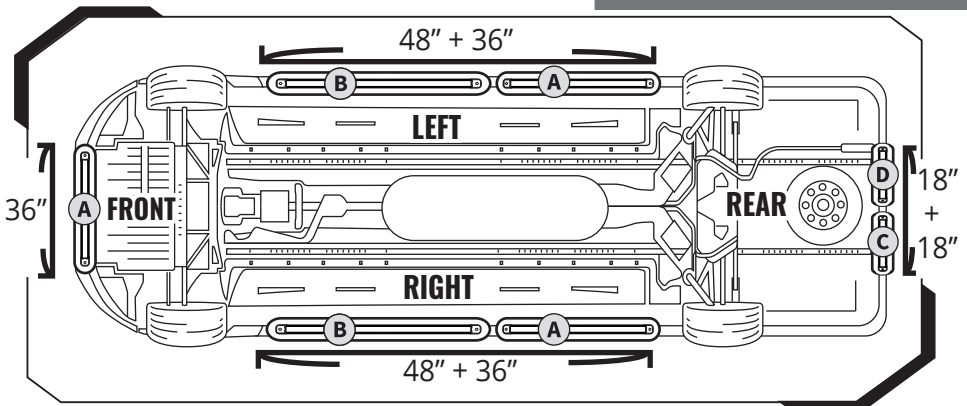
IMPORTANT

The control box is waterproof, but it should still be installed in a safe area of the vehicle. Please avoid installing it in the engine bay or on heated surfaces.

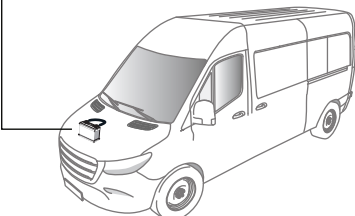
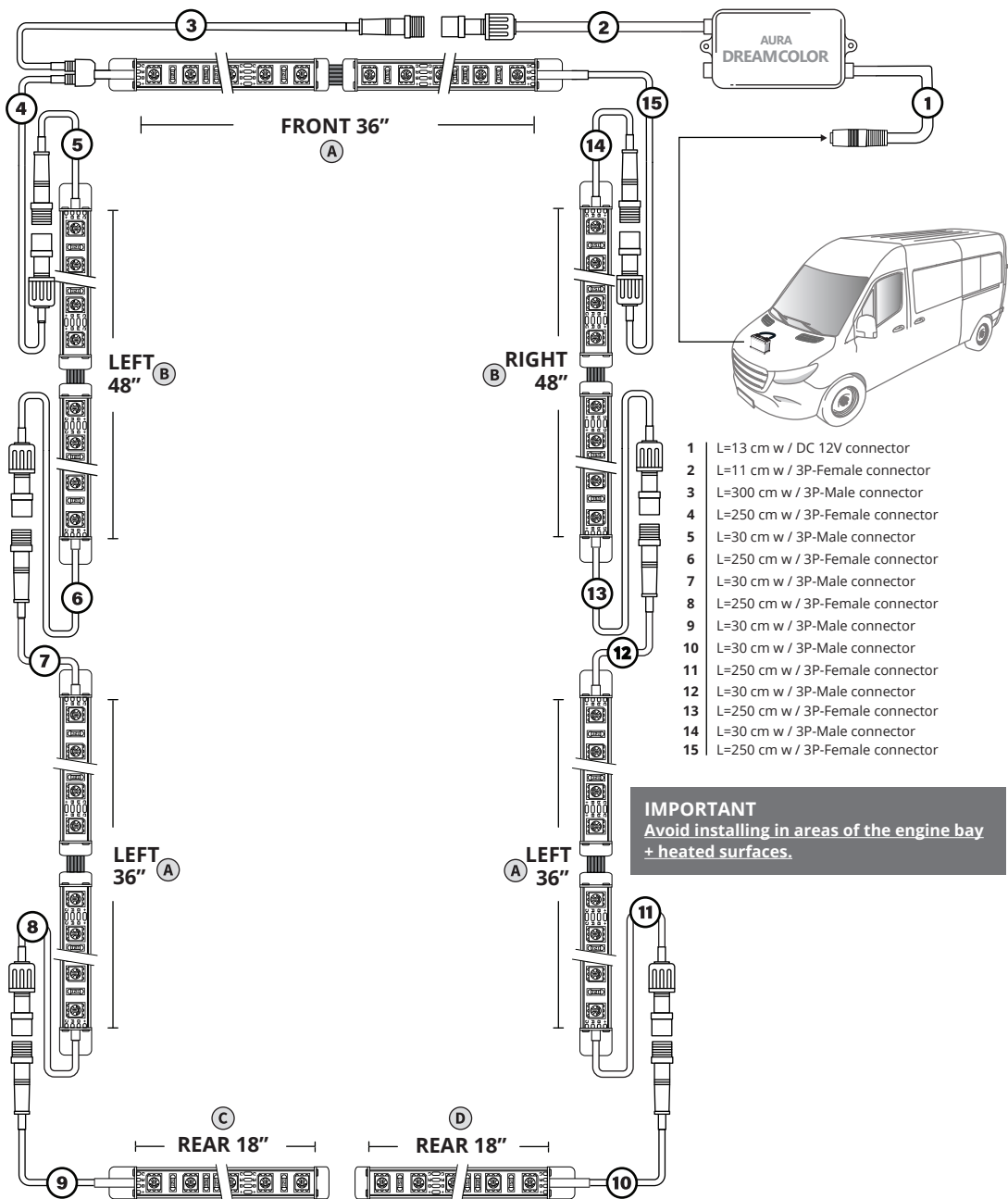


IMPORTANT

The spare tire is usually located at the bottom of the RV. Please pay attention to the position of the spare tire of your RV after installing the rear light bar. Please find a suitable place to install the rear light bars so the spare tire can be used normally.



INSTALLATION

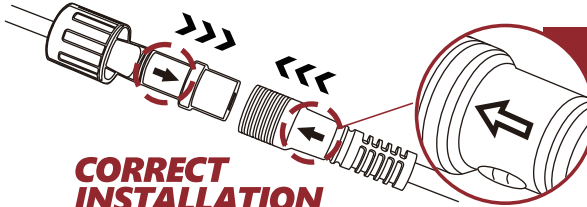


- 1 L=13 cm w / DC 12V connector
- 2 L=11 cm w / 3P-Female connector
- 3 L=300 cm w / 3P-Male connector
- 4 L=250 cm w / 3P-Female connector
- 5 L=30 cm w / 3P-Male connector
- 6 L=250 cm w / 3P-Female connector
- 7 L=30 cm w / 3P-Male connector
- 8 L=250 cm w / 3P-Female connector
- 9 L=30 cm w / 3P-Male connector
- 10 L=30 cm w / 3P-Male connector
- 11 L=250 cm w / 3P-Female connector
- 12 L=30 cm w / 3P-Male connector
- 13 L=250 cm w / 3P-Female connector
- 14 L=30 cm w / 3P-Male connector
- 15 L=250 cm w / 3P-Female connector

IMPORTANT
 Avoid installing in areas of the engine bay + heated surfaces.

INSTALLATION

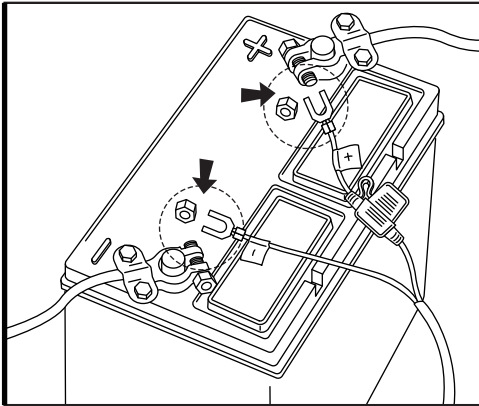
WARNING!



Note the
direction of
the arrows

**CORRECT
INSTALLATION**

**PRODUCT WARRANTY WILL BE VOID
FOR IMPROPER INSTALL.**



HOW TO CONNECT POWER HARNESS TO YOUR VEHICLE

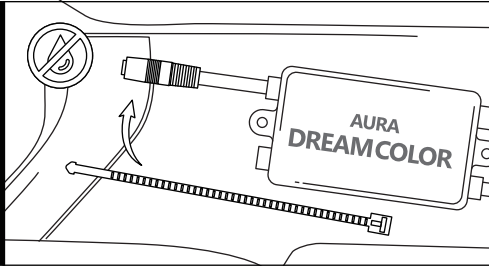
- Connect the Red wire (+) of power harness to the vehicle battery's positive terminal.
- Connect the Black wire (-) of power harness to the vehicle battery's negative terminal or an unpainted area on your vehicle's frame.



WARNING

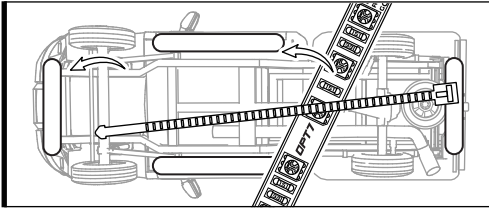
Please ensure that the LED bars or strips/control box/wiring all are mounted in areas where will not exceed 85°C or 185°F.

OPT7



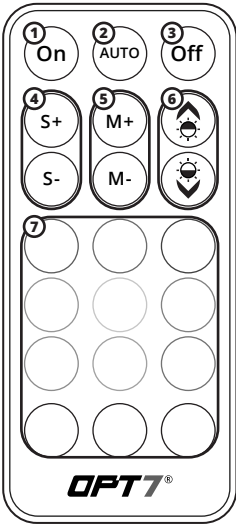
STEP 3

Secure control box in desired location with Velcro or zip ties.



STEP 4

Secure the light bars using the zip ties to tie all the wiring away from the moving components.

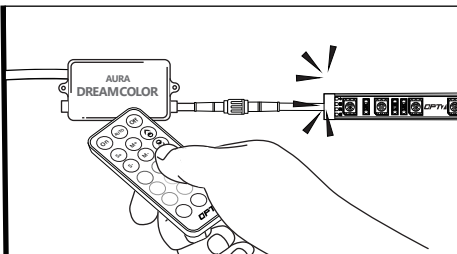


STEP 5

Using the included 21Key E-Z Remote, select your desired color or pattern.

- | | |
|---|---------------------------|
| 1 | Power-ON |
| 2 | Automatic Color Change |
| 3 | Power-OFF |
| 4 | Speed +/- 10 Levels |
| 5 | Mode +/- 24 Modes |
| 6 | Dimmer 10 Levels |
| 7 | Color Selection 12 Colors |

NOTE: When you use this product, keep it within 10m/33ft as much as possible.



HOW TO PAIR THE REMOTE?

Pair the Device:

To pair the remote, reconnect the power, then aim the remote at the control box and hold the ON button until the LED bars flash white.

QR CODE TO DOWNLOAD



Download the free "OPT7 GLOW" App

- Apple iOS (12+) available on App Store
- Android (8+) available on Google Play

| STEP 6

Download the OPT7 GLOW to have the best experience.



Please scan to see the OPT7 GLOW user guide.

<https://wintis.ladesk.com/362302-OPT7-AURA-Glow-Application-User-Guide>

DISCLAIMER

OPT7 Lighting is not liable for damages or personal injuries while installing this product.

The Installation Guide is intended as assistance to reduce setup time. OPT7 Lighting assumes no responsibility for improper installation.

If you are unfamiliar with your vehicle or inexperienced with aftermarket upgrades, please seek professional assistance.

OPT7 recommends installation for safety and guidance.

Modified installations or installation recommendations not specified by OPT7 Lighting will void product warranty.