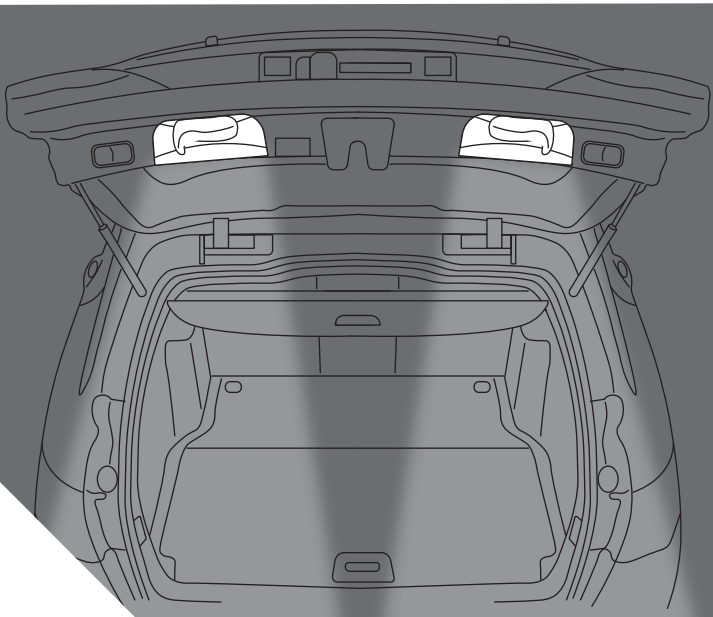


CARGO HANDLE LED LIGHT

for Mercedes-Benz GL Series

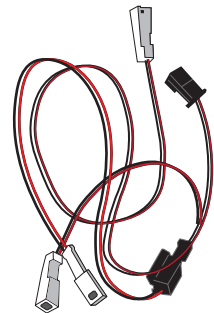
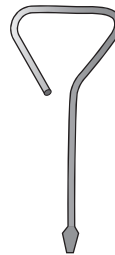
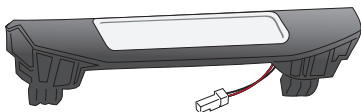
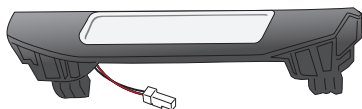
INSTALLATION GUIDE



FIT VEHICLE:

GLA (H247)	2020 - Present
GLB (X247)	2019 - Present
GLC (X253)	2015 - 2022
GLC Coupe (C253)	2015 - 2022
GLE (W167)	2019 - Present
GLE Coupe (C167)	2019 - Present
GLS (X167)	2020 - Present
EQA (H243)	2022 - Present
EQB (X243)	2022 - Present
EQC (N293)	2019 - 2022

WHAT'S INCLUDING



INSTALLATION



STEP 1

Open the rear trunk and find the door handle on the inside.



STEP 2

Detach the upper section of the OEM handle.



STEP 3

Press the handle latch inward. Be sure to retain the original latch for installing the replacement handle.

INSTALLATION



STEP 4

Remove the inner bolt cover, taking care not to damage the inner cables inside.



STEP 5

Disconnect the warning light socket and the tailgate switch socket.



STEP 6

Remove the lower part of the original handle.

INSTALLATION



STEP 7

Install the lower section of the replacement handle, ensuring it is oriented correctly.

Once installed, it cannot be reinstalled.



STEP 8

Install the clips on the inside of the boot cover, ensuring not to pinch the cables.



STEP 9

Move the cables to the inner side to facilitate the installation of the upper section.

INSTALLATION



STEP 10

Install the upper section of the replacement handle into the handle slot, ensuring that no wires are obstructed.



STEP 11

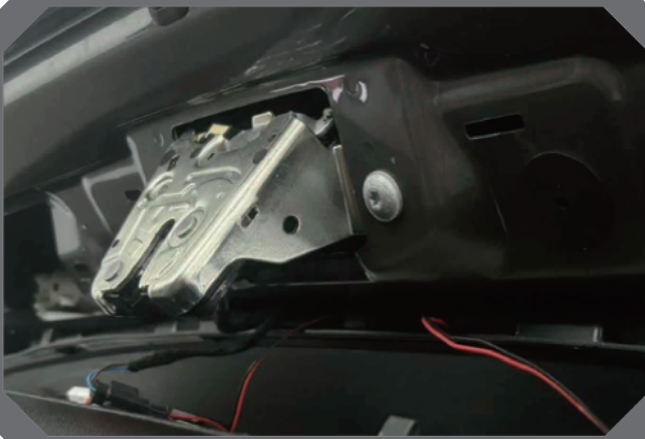
Prepare the cables and insert them into the corresponding sockets.



STEP 12

Connect the automatic tailgate switch socket.

INSTALLATION



STEP 13

Arrange all the cables neatly as shown in the picture.



STEP 14

Close all covers to complete the installation.
Test the lighting functions to ensure they are working properly.

DISCLAIMER

OPT7 Lighting is not liable for damages or personal injuries while installing this product. The Installation Guide is intended as assistance to reduce setup time. OPT7 Lighting assumes no responsibility for improper installation. If you are unfamiliar with your vehicle or inexperienced with aftermarket upgrades, please seek professional assistance.

OPT7 recommends installation for safety and guidance.
Modified installations or installation recommendations not specified by
OPT7 Lighting will void product warranty.