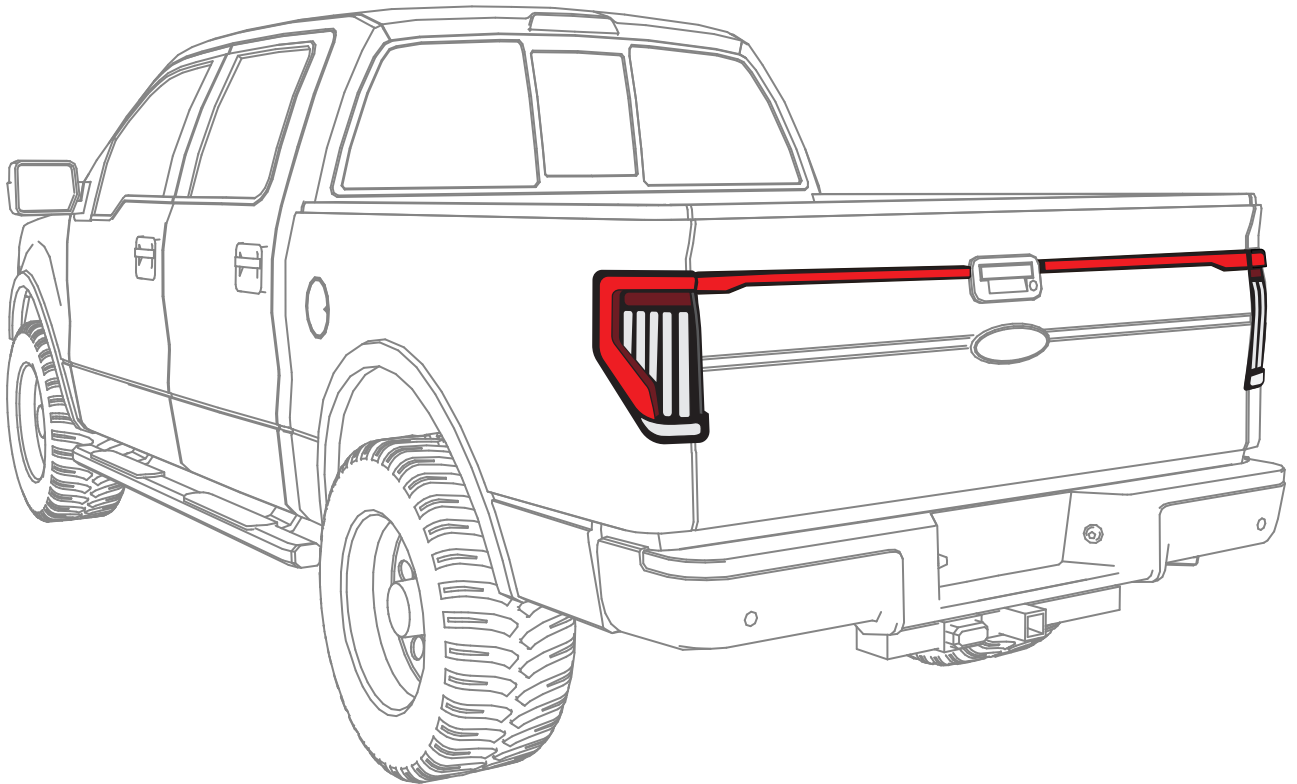
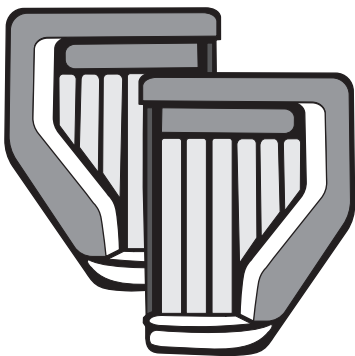


OPT7[®]

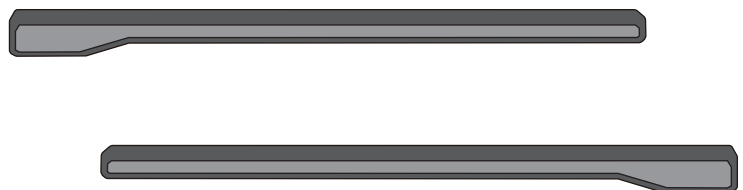
**FULL-WIDTH STRIP CROSS
TAIL LIGHT** **F150** 2009-2014 GEN12



WHAT'S INCLUDED

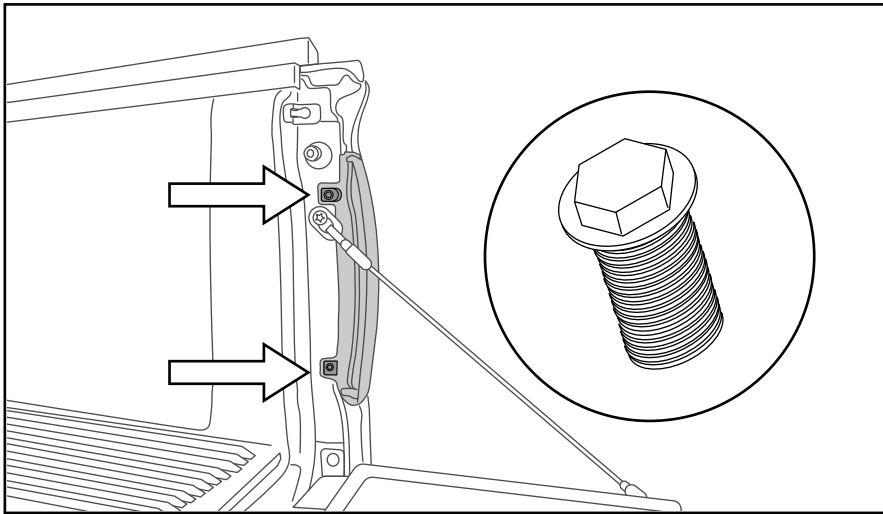


2x TAIL LIGHT



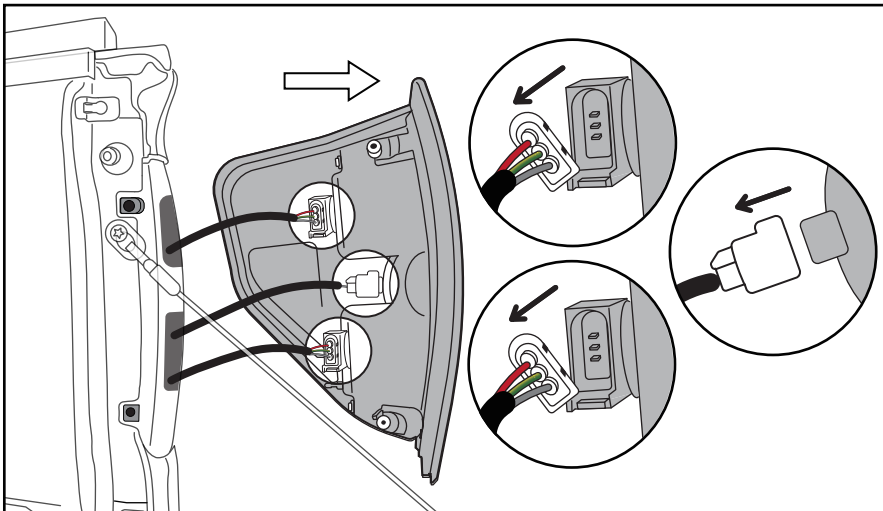
2 x FULL-WIDTH TAILGATE LIGHT BAR

INSTALLATION



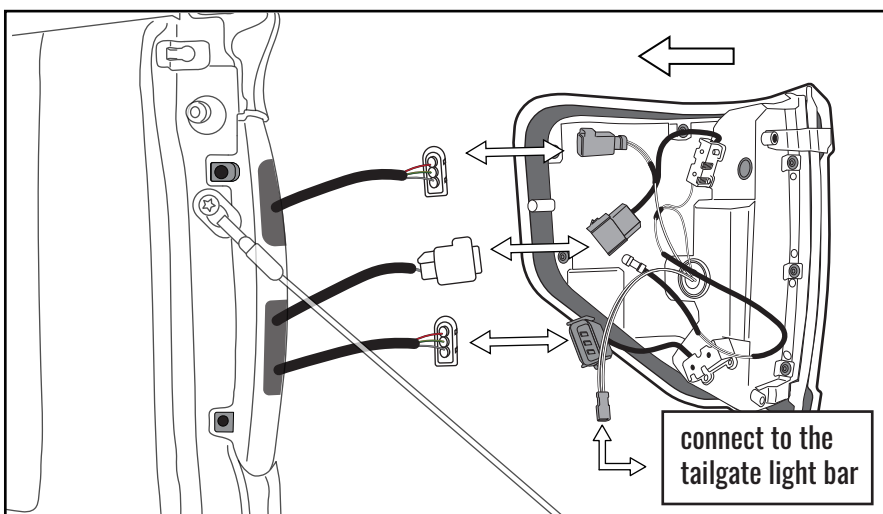
STEP 1

Open the bed of the truck.
Use a ratchet and 8 mm socket to remove the 2 bolts securing the taillight assembly.



STEP 2

Carefully remove the tail light assembly from the truck by pulling it out towards you. Release the latch on the connectors from the assembly.



STEP 3

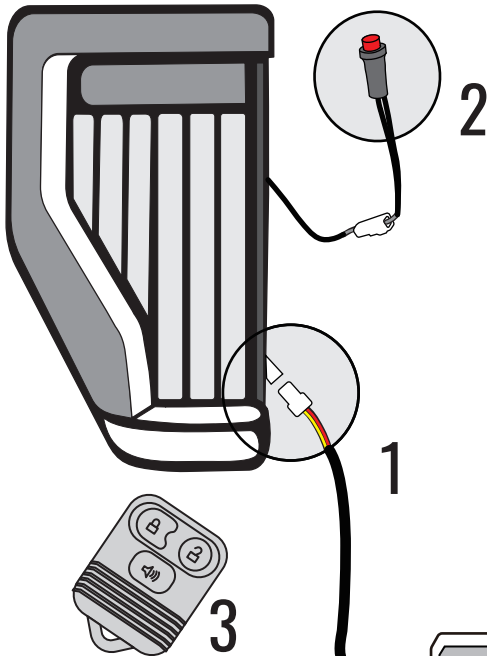
Carefully install the OEM tail light and connect the latch of the three connectors. One connector needs to connect to the width tailgate light bar.

*See the next page to set the tail light display

INSTALLATION

LIGHT DISPLAY SETTING

1. Connect the tailgate light bar plug to the tail light.
2. Use the red button to set the light display.
3. Need F150 remote key to set the start-up sequence.



F150 Remote Key
(Not including in the product)

TURN LIGHT SETTING

1. Activate emergency lights first.
2. When the blink is active, press the red button once to change the signal light display.

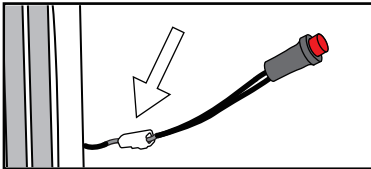
3 OPTION-
Flashing Red
Flashing Amber
Sequential Amber

START-UP SEQUENCE SETTING

1. Use the remote control to unlock the truck.
2. While the running light is illuminated, hold the red button for 5 seconds until the tail light flashes once.
3. Use the remote control to lock the truck and unlock it to see the start-up.

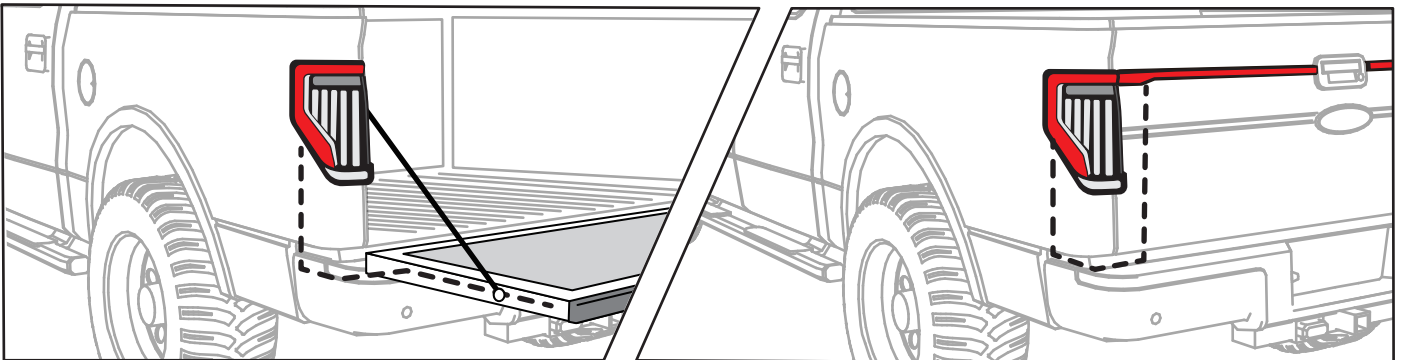
3 OPTION- Complete Running Start-up Sequence
Full Illumination Start-up
Only Start-up Sequence

**Need to test if the function is normal after setting the light display.*



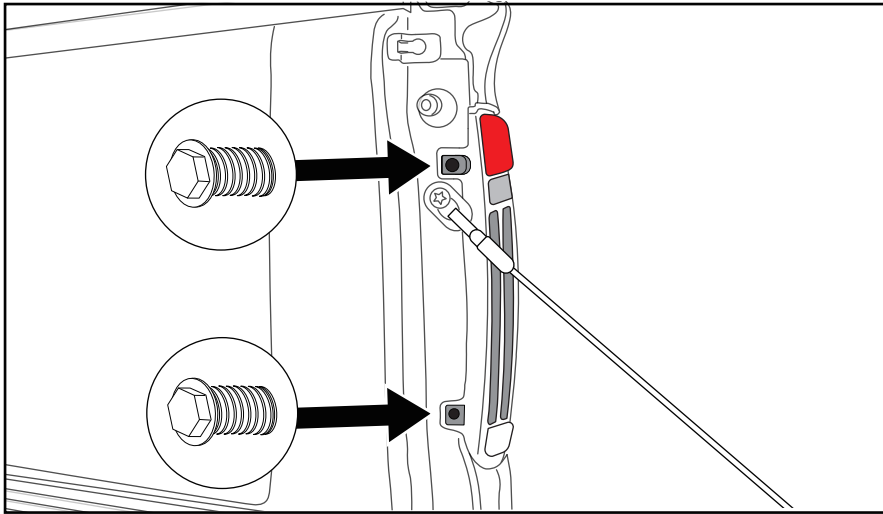
Once you've selected your preferred start-up sequence and signal light options, please disconnect the red button connector for future usage.

WIRE LAYOUT SUGGESTION



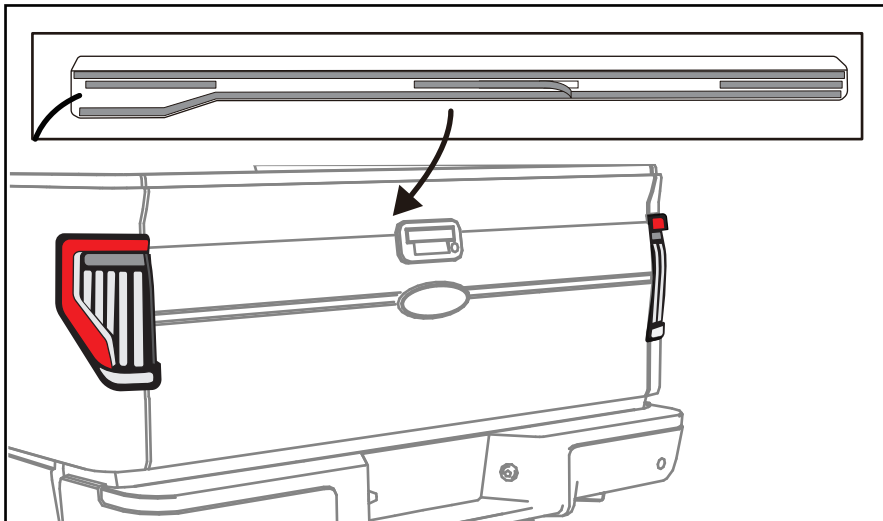
**Must sure there are enough space to make the tailgate open and the wire is long enough to fold.*

INSTALLATION



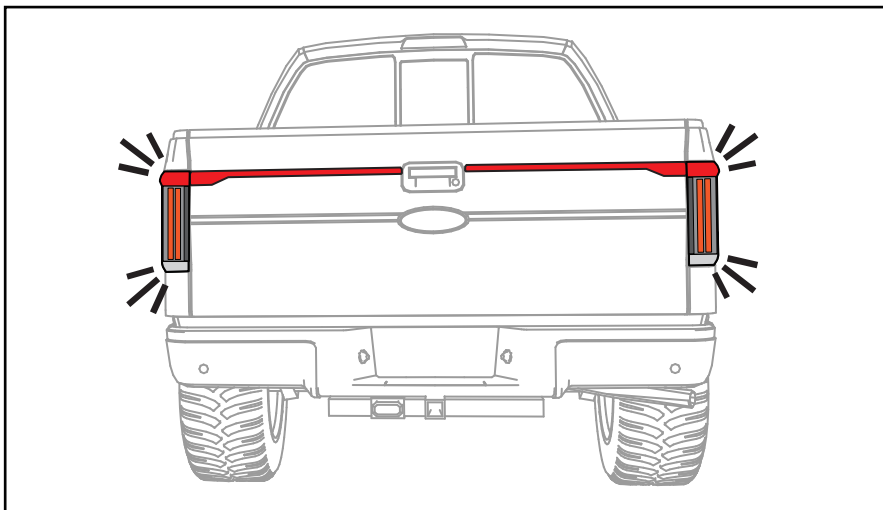
STEP 4

After finishing the light display set and the wiring layout, remember to turn back the two bolts removed in step 1 with the ratchet and tighten well.



STEP 5

After cleaning the both sides of the tailgate handle, removing the adhesive backing from the LED light bar. Then attach the light bars according to the surface of both sides of the tailgate handle.



STEP 6

Make sure each function of the Full-Width Strip Cross Tail Light works normally when operating the truck. (lock the truck, unlock the truck, brake light, turn light, side light, reverse light and hazard warning light)

DISCLAIMER

OPT7 Lighting is not liable for damages or personal injuries while installing this product. The Installation Guide is intended as assistance to reduce setup time. OPT7 Lighting assumes no responsibility for improper installation. If you are unfamiliar with your vehicle or inexperienced with aftermarket upgrades, please seek professional assistance.

OPT7 recommends installation for safety and guidance.

Modified installations or installation recommendations not specified by OPT7 Lighting will void product warranty.