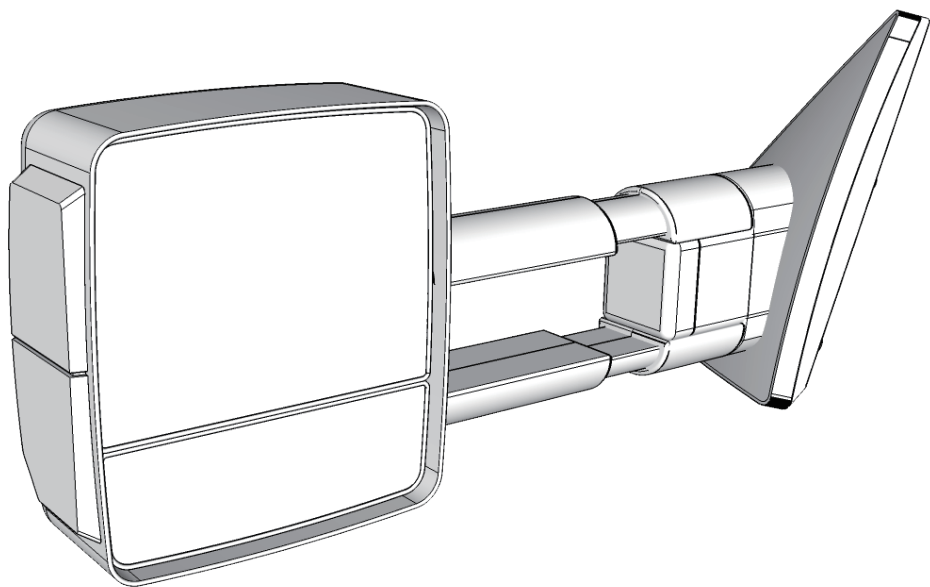


# TRUCK TOW MIRROR

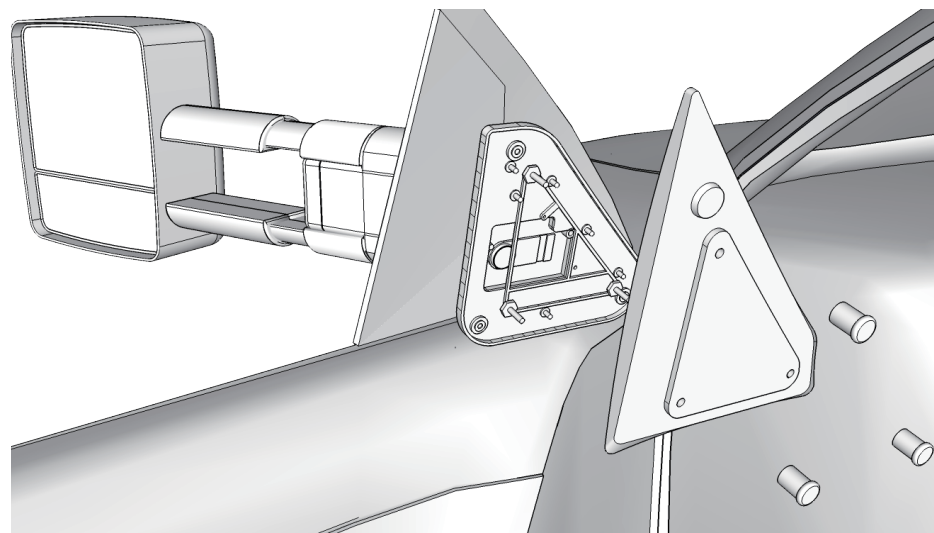
TOYOTA TUNDRA



QUICK-INSTALL GUIDE

## STEP 1 REMOVE THE ORIGINAL MIRROR

First, remove the door panel. (If you do not know how to do this for your vehicle, there are various online tutorials that can help you.) Unplug the wired connector and unscrew the three nuts holding the mirror in place. Slide your original mirror out – if there is a retainer pin, you will need to push that inwards to wiggle your mirror out.



## STEP 2 INSTALL YOUR OPT7 MIRROR

Screw your new OPT7 mirror into place and reconnect the wiring plug. Test the turn signal light and heating functions using your vehicle's controls.\* Replace your door panel, and repeat the process for the mirror on the other side.



**HAVING TROUBLE?**

Our technicians are happy to help.  
Simply shoot us an email at [support@opt-7.com](mailto:support@opt-7.com)!