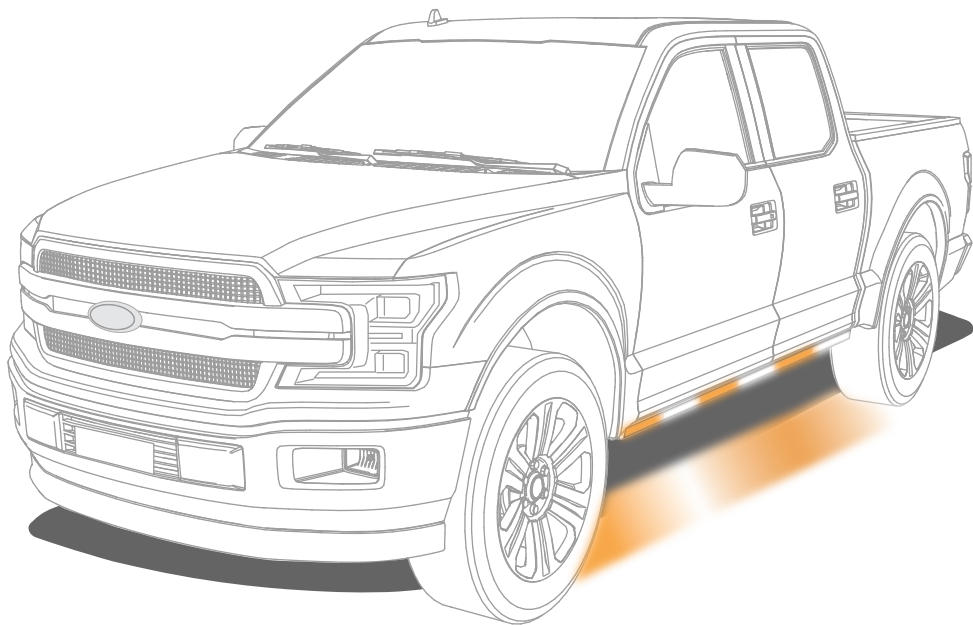
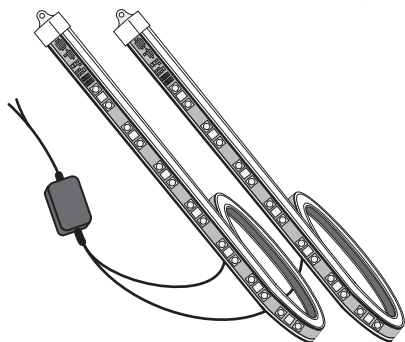


# ***FLEXIBLE SIDEKICK RUNNING BOARD LIGHT***

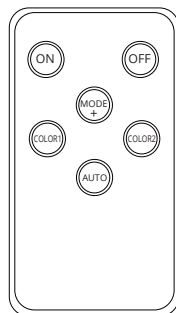
***with WARNING MODES***



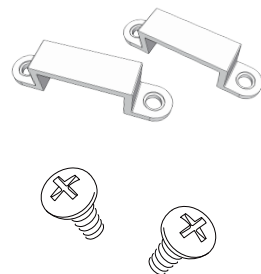
## **WHAT'S INCLUDED**



**2 x LED Light strips  
with Control Box**



**Remote  
Control**



**Mounting  
Brackets**

# INSTALLATION

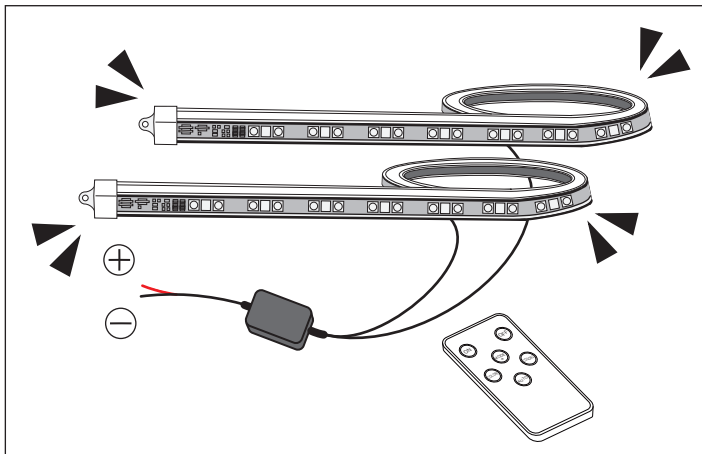
## EXAMPLE

Recommendation for methods and location

12V battery/ running light / ACC power



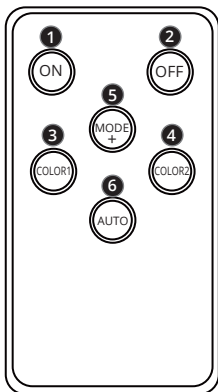
Sidekick Warning Light Strips



## STEP 1

Before mounting the Sidekick Flexible Warning Strips, connect the positive and negative wires directly to a 12V battery. This will help you verify that the strips are functioning correctly.

## HOW TO USE THE WARNING MODE FUNCTIONS

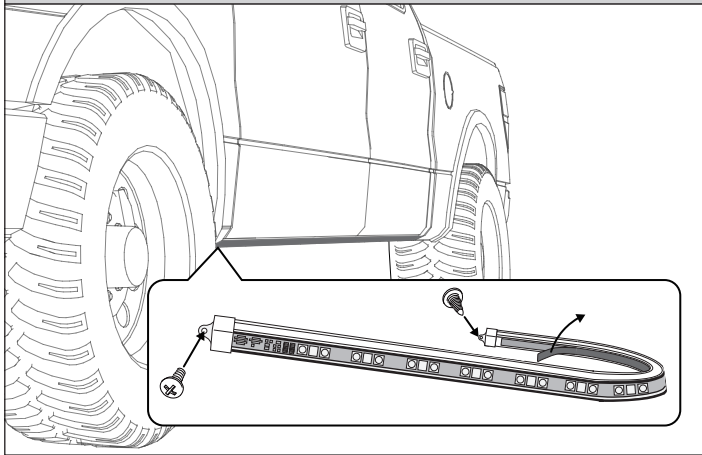


Using the included 6-Key Remote, to select the functions on the remote, see below.

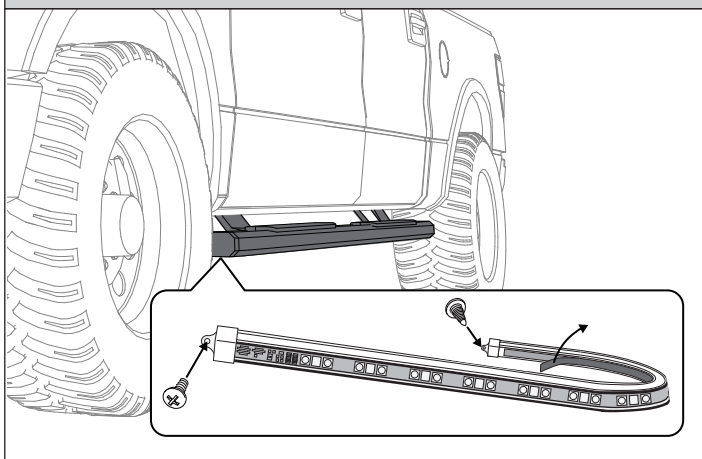
- 1 Power ON
- 2 Power OFF
- 3 White Color Mode
- 4 Amber Color Mode
- 5 Warning Light Mode Adjust (31 modes)
- 6 Automatically Switch Warning Light Mode

# INSTALLATION

## VEHICLE WITHOUT RUNNING BOARD



## VEHICLE WITH RUNNING BOARD



## STEP 2

Use the provided screws and clips to ensure a solid installation and gently remove the adhesive backing from the light strip.

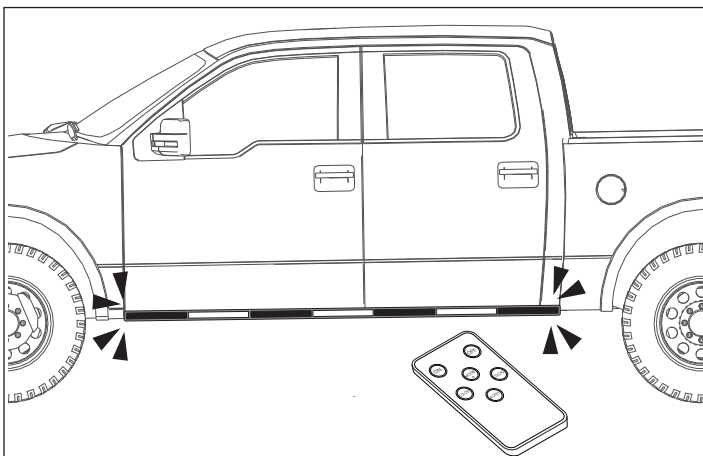
If there is a running board on the vehicle, please find a suitable place to install the sidekick warning light strips.

## IMPORTANT

\*Some vehicles are equipped with electric running board; please make sure it could work normally after installing the sidekick warning light strips.

## STEP 3

After you've mounted the strips, turn on your vehicle and check to ensure that all the lights are working correctly.



# DISCLAIMER

OPT7 Lighting is not liable for damages, injuries, or death while installing this product. The Installation Guide is intended as assistance to reduce setup time. OPT7 Lighting assumes no responsibility for improper installation. If you are unfamiliar with your vehicle or inexperienced with aftermarket upgrades, please seek professional assistance.

*We provides 90-days warranty. Feel free to contact us using the link below for product inquiries or installation support.*

*OPT7 Support Team: <https://www.opt-7.com/pages/customer-support>*