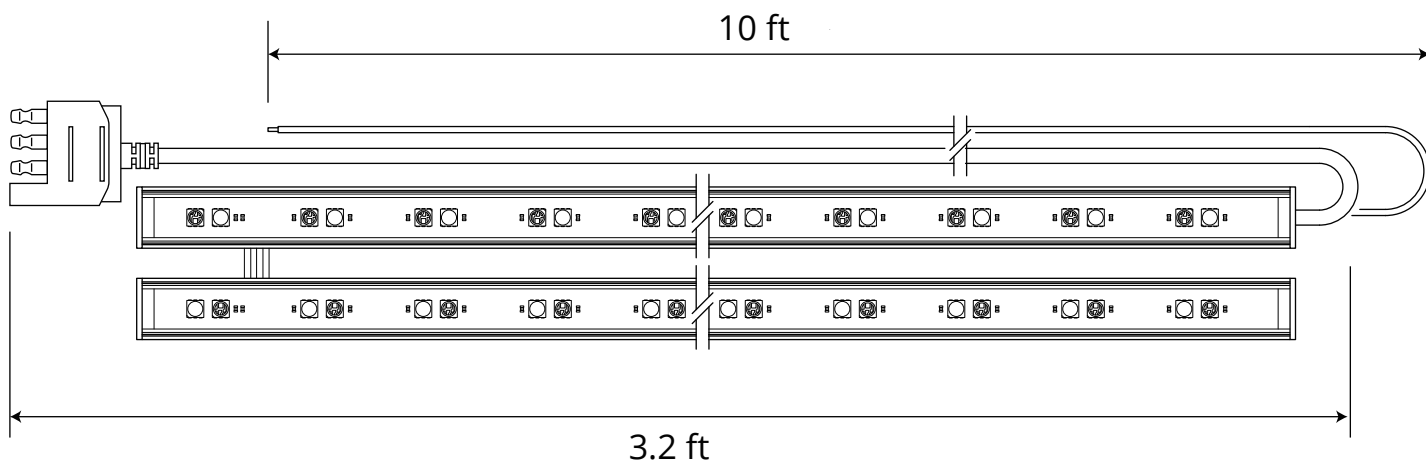


# REDLINE PARLUX

## SINGLE ROW TAILGATE LIGHT BAR (2PC)

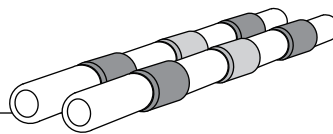
### INSTALLATION GUIDE

## WHAT'S INCLUDED



**1X** Redline LED Bar

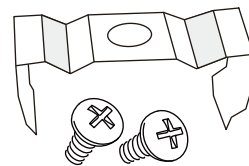
**2X** Heat Shrinkable Wiring Connector



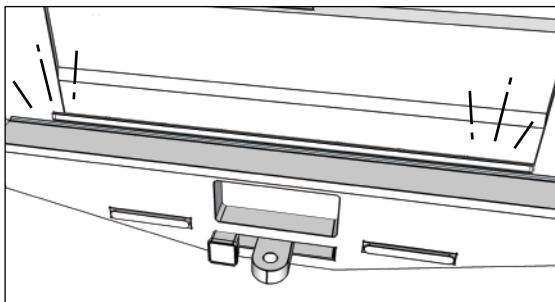
**1X** Adhesive Booster



**4X** Mounting Clips

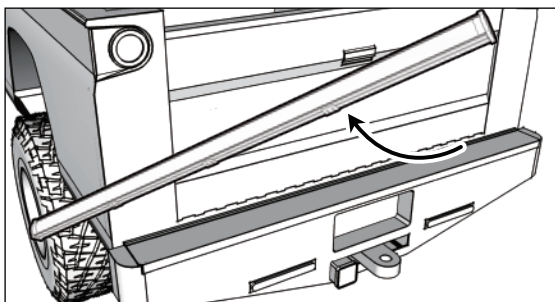


# INSTALLATION



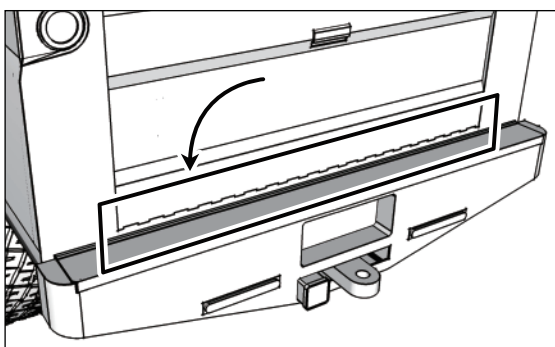
## STEP 1

Test the Redline LED Bar for functionality before mounting on vehicle.



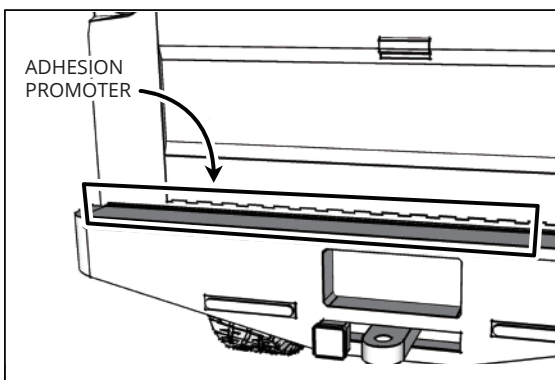
## STEP 2

Remove the tailgate from vehicle to prep the area.



## STEP 3

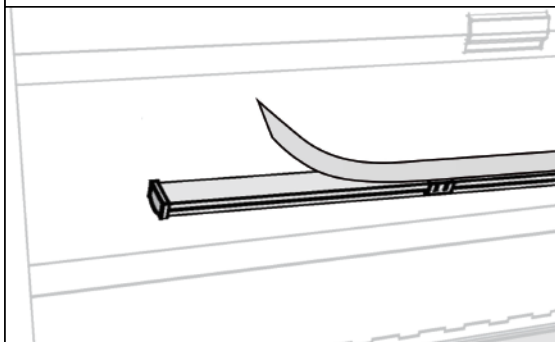
Thoroughly clean the area where the Redline LED Bar will be mounted.



## STEP 4

Wipe the area to remove any dirt, or debris on the surface. Next, apply the Adhesive Promoter to the cleaned area.

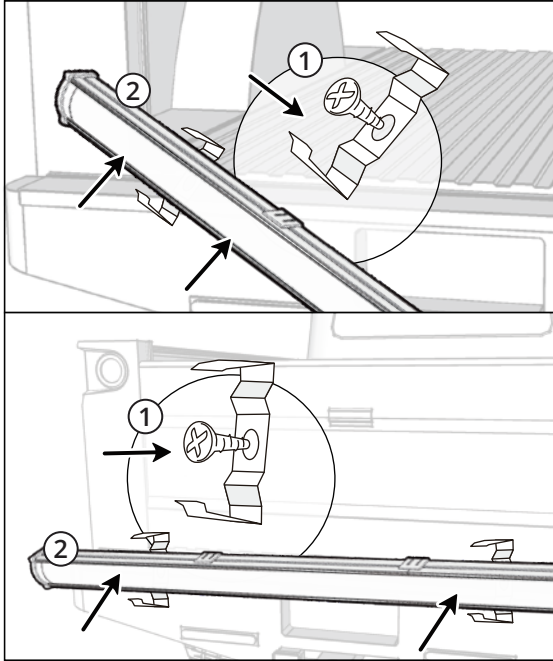
**OPTION 1**



## STEP 5

On the Redline LED Bar, slowly peel the back off of the adhesive and apply firmly to the clean area of the truck's tailgate.

# INSTALLATION



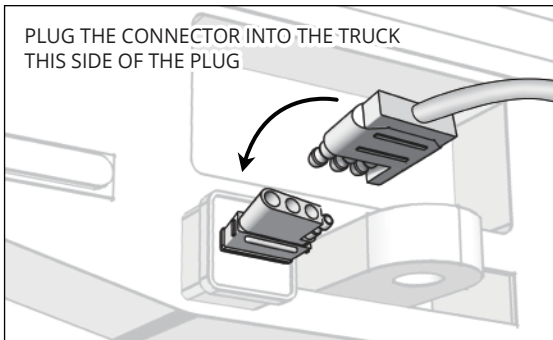
## STEP 4

For optimal installation of the Redline LED Bar, carefully plan and mark the desired bracket mounting locations, taking placement into consideration to ensure a straight application.

**OPTION 2**

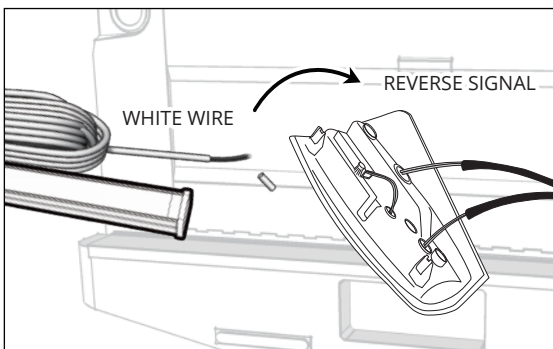
## STEP 5

Securely mount the Redline LED Bar to your vehicle using the provided screws and clips to ensure a solid installation.



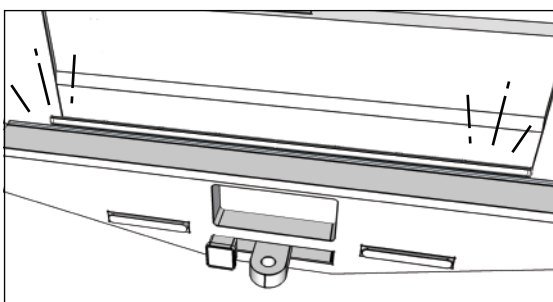
## STEP 6

Plug the 4-pin flat connector into the proper receptacle on the vehicle.



## STEP 7 WHERE TO CONNECT THE REVERSE SIGNAL ?

Splice the white wire coming from the Redline LED Bar to the factory tail light and use the heat shrinkable wiring connector we provided.



## STEP 8

Test the Redline LED Bar again for function.

# OPTIONAL

## HOW TO CONNECT TO YOUR VEHICLE ?

The diagrams are the recommend installation method for the Redline Triple Tailgate Light Bar. Please confirm the year model and make of your vehicle before installing.

Feel free to contact us using the link below for product inquiries or installation support.  
OPT7 Support Team: <https://www.opt-7.com/pages/customer-support>

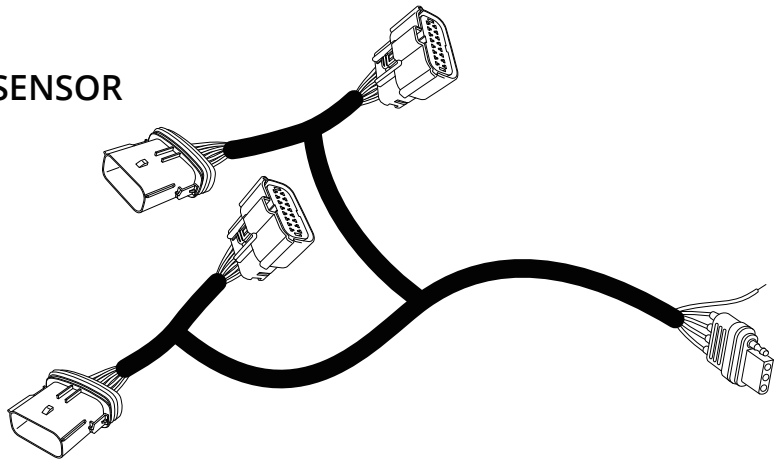
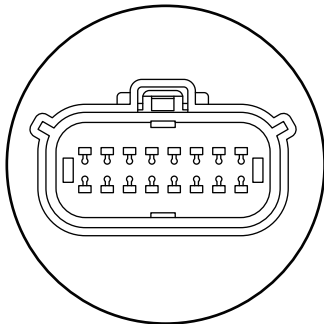
Notice: Redline Adapter Connectors are sold separately. Please refer to the following links

<https://www.opt-7.com/collections/truck-redline-tailgate-led-light-bars>

### 2015~2020 F150 (16PIN)

ALL MODELS

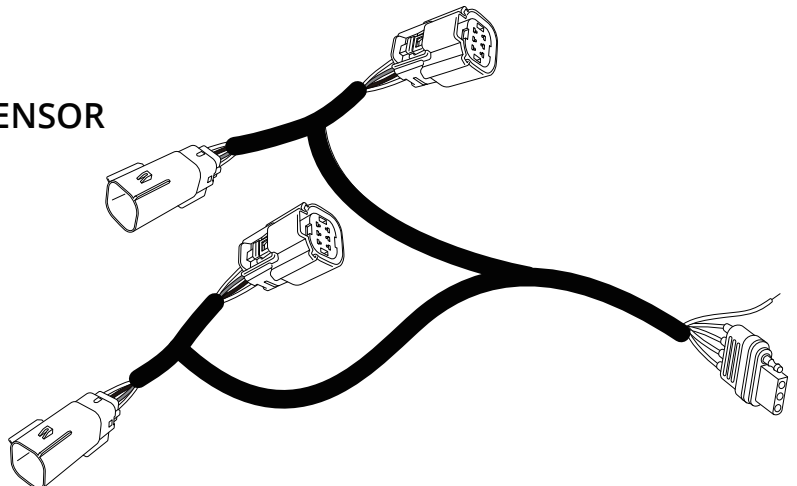
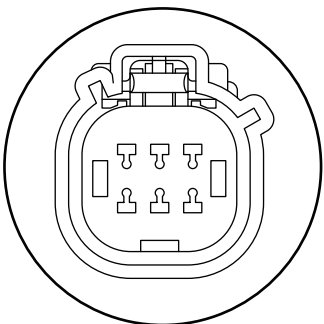
WITH BLIS/BACKUP CAMERA/ASSIST SENSOR



### 2018~2020 F150 (6PIN)

XL, XLT, LARIAT

NO BLIS/BACKUP CAMERA/ASSIST SENSOR

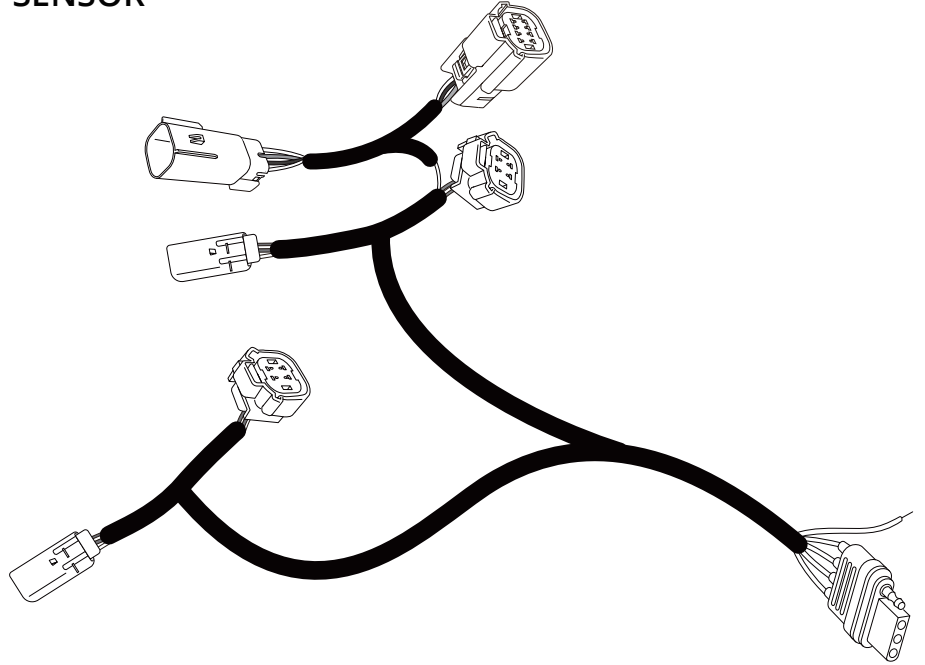
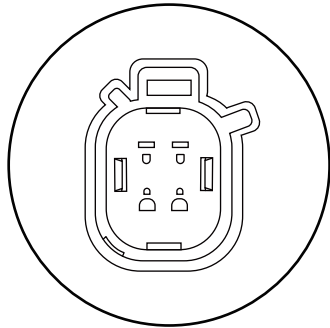
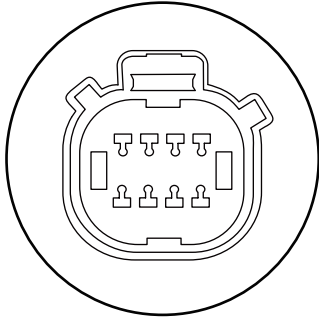


# OPTIONAL

## 2021~2023 F150

XL, XLT

/w BLIS/BACKUP CAMERA/ASSIST SENSOR

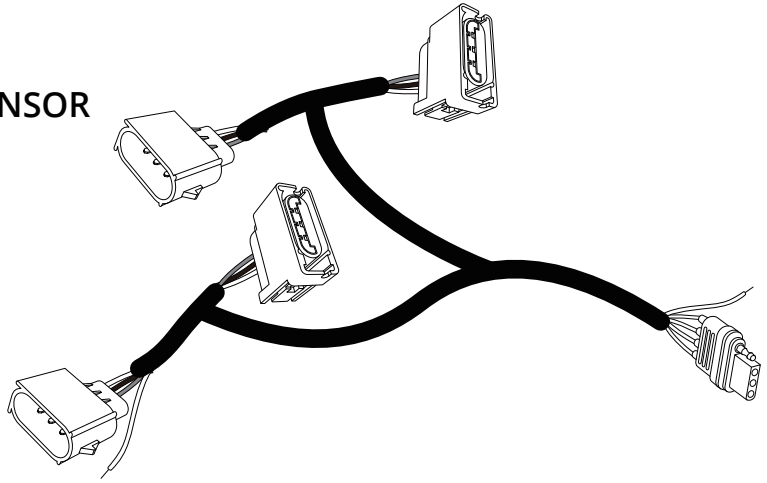
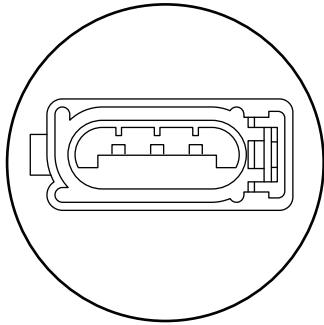


# OPTIONAL

## 2015~2018 F150 (3PIN)

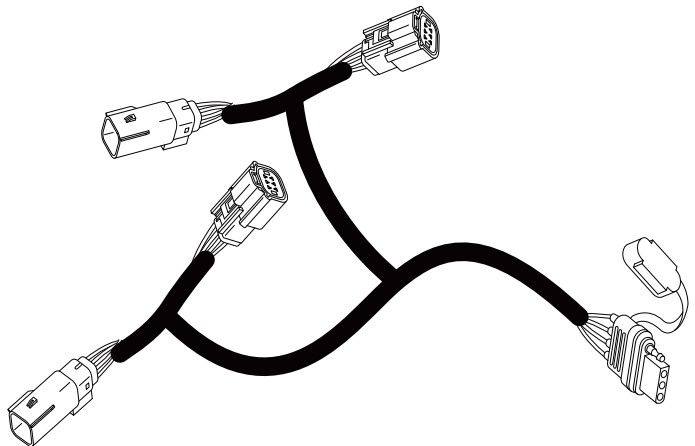
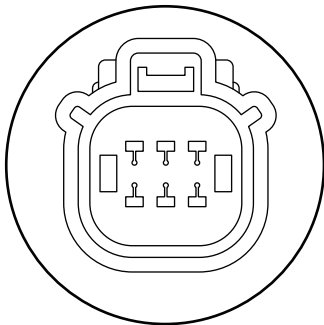
XL, XLT, LARIAT

NO BLIS/BACKUP CAMERA/ASSIST SENSOR

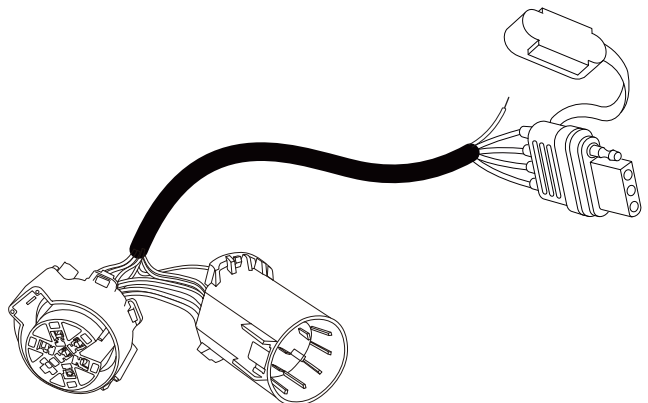


## 2019~2021 Silverado/Sierra 1500 (6PIN)

ALL MODELS



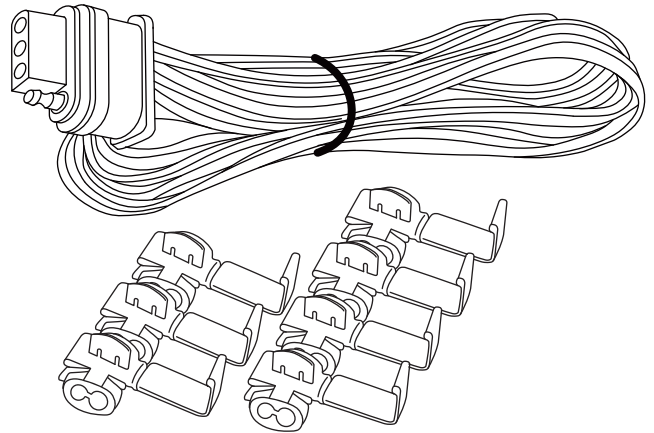
## OPT7 Easy Connect USCAR 7 Pin to 4 Pin Harness with Reverse Wire



# OPTIONAL

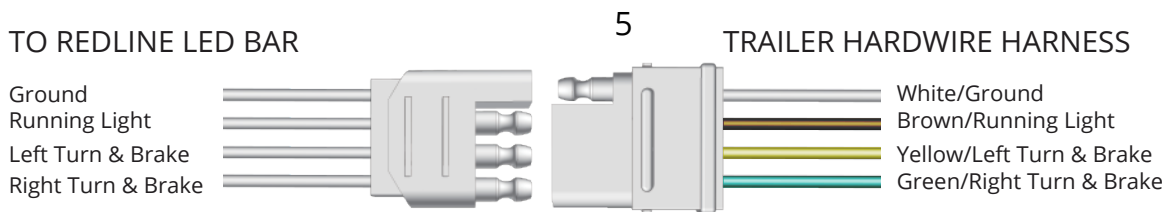
## OPT7 Redline 4.9ft Hardwire Harness

For Tailgate Light Bars  
(7 Wiring Connectors Included)



### HARD WIRING

If hard-wiring, use image below to identify wire color functions and pair them to appropriately identified wires on vehicle.



# DISCLAIMER

OPT7 Lighting is not liable for damages, injuries, or death while installing this product. The Installation Guide is intended as assistance to reduce setup time. OPT7 Lighting assumes no responsibility for improper installation. If you are unfamiliar with your vehicle or inexperienced with aftermarket upgrades, please seek professional assistance.

**2** YEAR  
WARRANTY