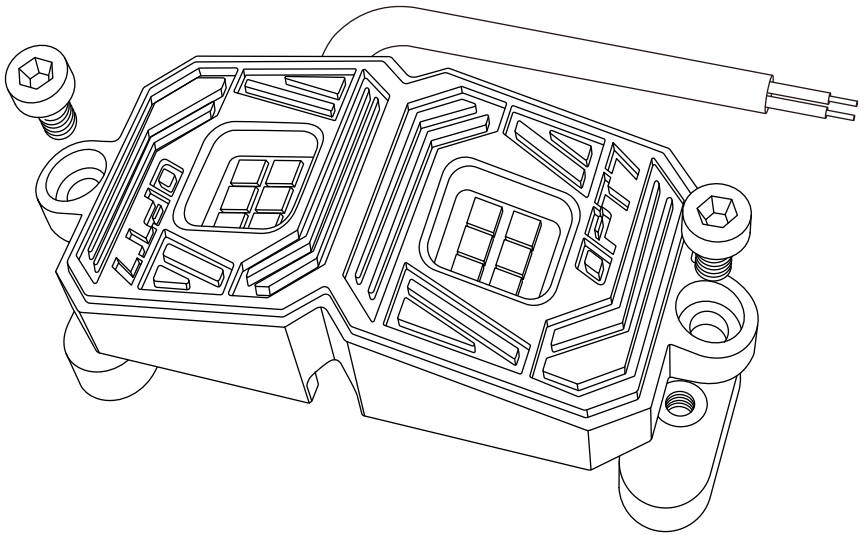


OPT7[®]

PHOTON

WHITE ROCK LIGHTS

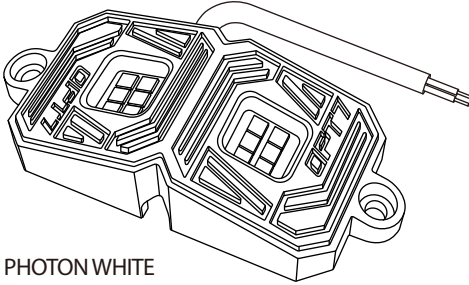
INSTRUCTION MANUAL



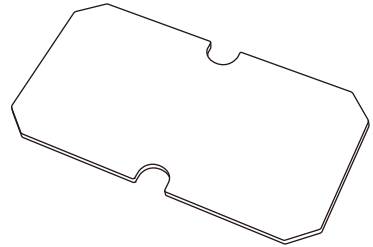
SPECIFICATIONS

Input Voltage	DC 12V
Input Power	Max 2.4Watts per pod
LED Color	12pcs - White per pod
Raw Lumens	550 LM (4 Pods Combined)
Waterproof	IP68 (Only Pod)
Operating Temperature	-5°F - 120°F

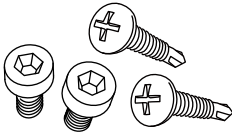
MAIN COMPONENTS



4 X PHOTON WHITE
ROCK LIGHT POD



4 X VHB DOUBLE SIDED
ADHESIVE TAPE

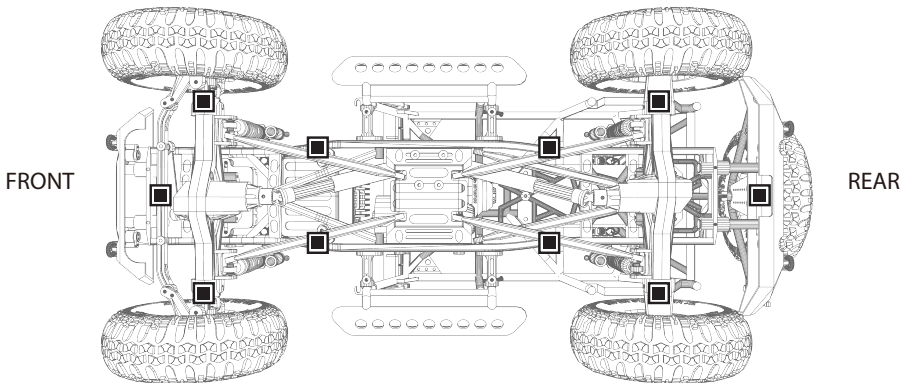


16 X MOUNTING SCREWS



30 X ZIP-TIE

WHERE TO INSTALL



■ RECOMMENDED LOCATIONS FOR ROCK LIGHT PODS

3 WAYS TO MOUNT THE ROCK LIGHT POD

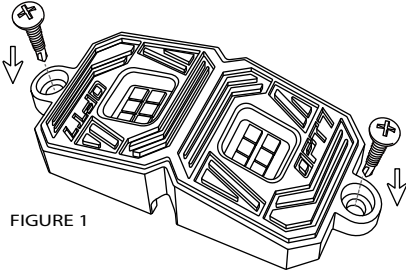


FIGURE 1

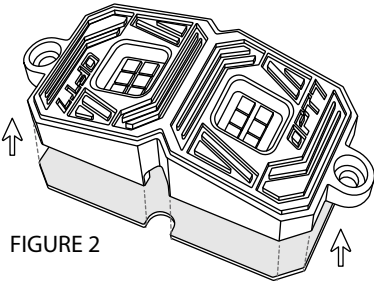


FIGURE 2

STEP 1

There are 3 installation methods for you to choose, you can refer to the following methods to install.

- OPTION 1 Use "Self-Drilling Screws" for mounting as shown in Fig. 1
- OPTION 2 Use "VHB Double-Sided Adhesive" for mounting as shown in Fig. 2

IMPORTANT: Before starting installation ,we recommend that all rock light pods be checked to ensure that all functions are working properly.

STEP 2

Designate your mounting locations for each Rock Light Pods and relay switch. (Refer to Page 2 for RECOMMENDED MOUNTING LOCATIONS)

IMPORTANT: Avoid hot surfaces and / or moving parts.

STEP 3

Start installing the LED Pods onto your vehicle. If any excess wiring are exposed during installation process, you must use the zip-ties to securely tie them together and tuck the wire into the junction area to avoid snagging or damage wires.

STEP 4

Once the pods and wires are all safely installed onto your vehicle, you can now begin to use your Photons!

Feel free to share a review along with a photo of installations so others users like yourself can enjoy the OPT7 Off-Road too! Rock on!

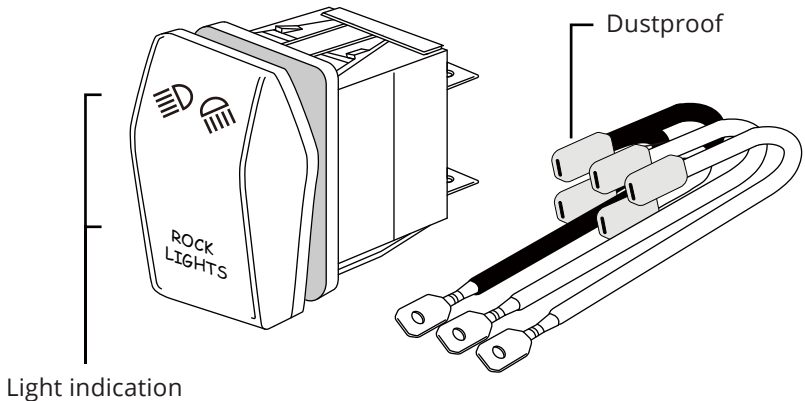


CAUTION

Rock Light Pods become extremely hot during use-keep away from any vehicle parts that may be damaged by exposure to high temperatures.

OPTION

OPT7 ROCK LIGHTS 5 PIN ON/OFF ROCKER SWITCH WITH JUMPER WIRES



EASY TO CONTROL

OPT7 Rock Lights 5-Pin ON/OFF Rocker Switch with Jumper Wires are designed to turn on/off the Photon Rock Lights easier.

Light Indication Design: Easy to operate and locate in plain sight or darkness.

Dustproof Design: Avoid dust cluttering rocker switch

Buy it now only on OPT7 Lighting!

OPT7



If you are uncomfortable performing work of this nature yourself, then do not hesitate to consult a professional for help. Working with a vehicle's electrical system can be hazardous to an unqualified individual. OPT7 is not liable for damages or personal injuries while installing this product. The installation guide is provided as assistance to reduce set up time.

DISCLAIMER

OPT7 Lighting is not liable for damages or personal injuries while installing this product. The Installation Guide is intended as assistance to reduce setup time. OPT7 Lighting assumes no responsibility for improper installation. If you are unfamiliar with your vehicle or inexperienced with aftermarket upgrades, please seek professional assistance.