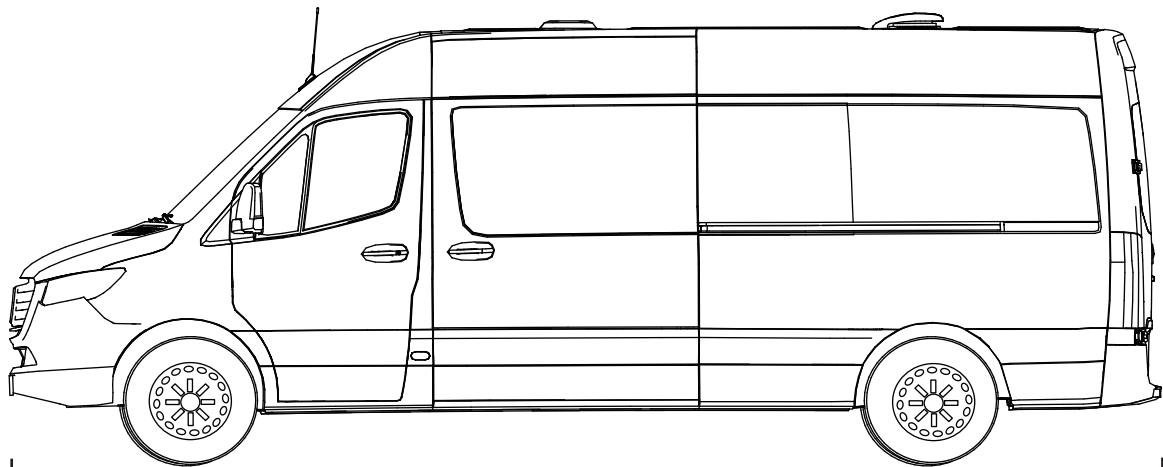


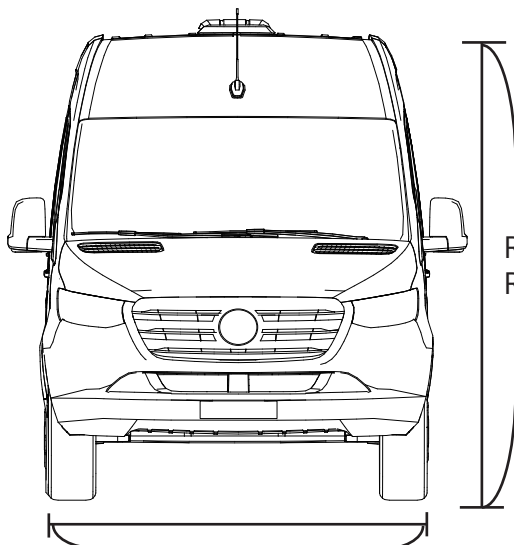
AURA™ PRO UNDERGLOW

RV CLASS B/B+ FIT

INSTALLATION GUIDE



RV Class B : 19~23 ft
RV Class B+ : 19~24 ft



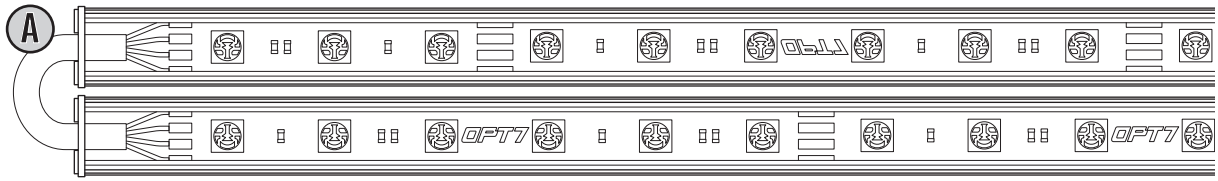
RV Class B : 10 ft
RV Class B+ : 11 ft

RV Class B : 7 ft
RV Class B+ : 8.1 ft

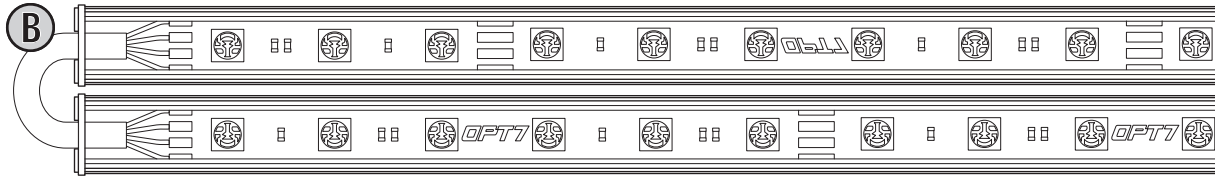


AURA PRO
BLUETOOTH CONTROL BOX

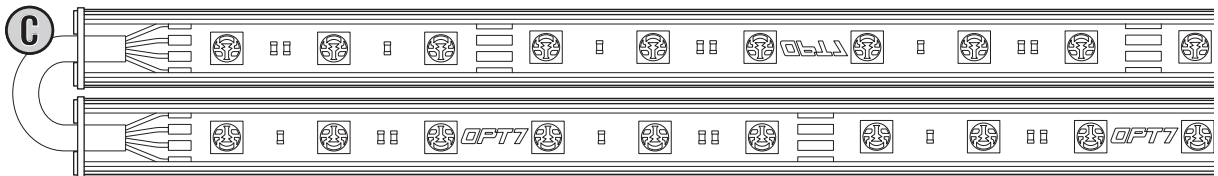
COMPONENTS



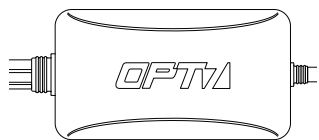
RIGID LIGHT BARS 2×48" (TWO-SECTION MOVABLE 24") + 8ft EXTENSION WIRE



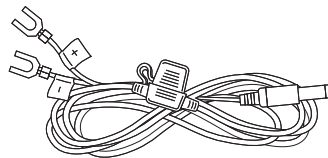
RIGID LIGHT BARS 1×36" (TWO-SECTION MOVABLE 18") + 8ft EXTENSION WIRE



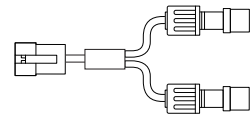
RIGID LIGHT BARS 3×36" (TWO-SECTION MOVABLE 18") + 18ft EXTENSION WIRE



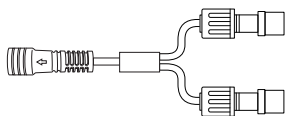
AURA PRO BLUETOOTH CONTROL BOX



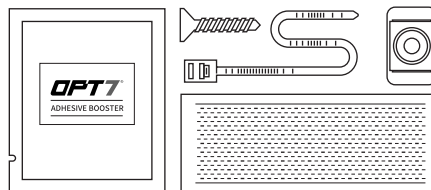
HARDWIRE POWER HARNESS



Y-SPLITTERS (A)



Y-SPLITTERS (WATERPROOF) (B)



INCLUDES -
WIRE MOUNTS, SELF-TAPPING
SCREWS, BOOSTER, VELCRO, ZIP TIES

MOUNTING KIT

INSTALLATION

STEP 1

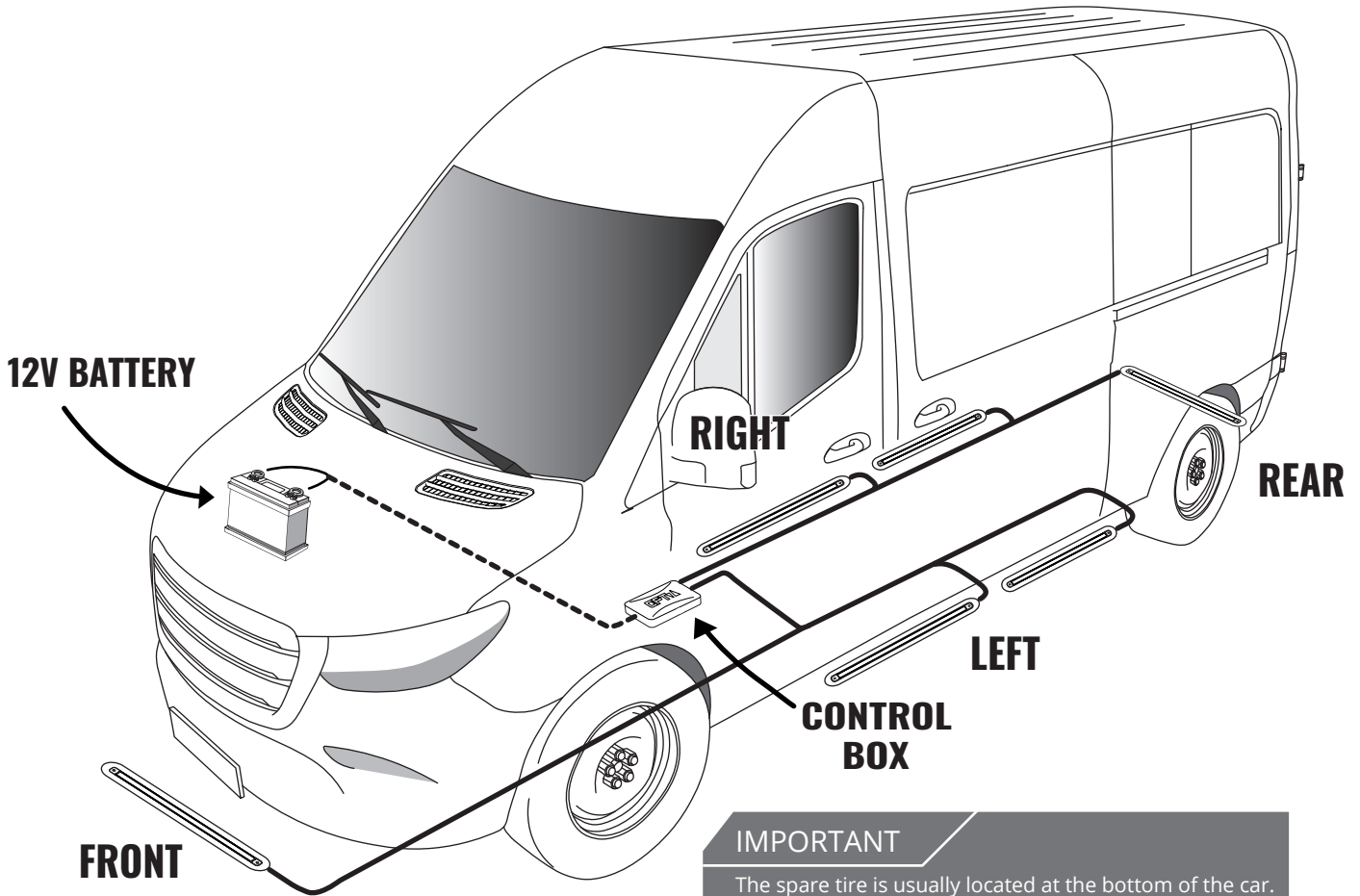
Inspect kit to ensure all contents was included.

STEP 2

Decide where to locate the control box and ensure wiring has enough length for light bars to be installed in desired location.

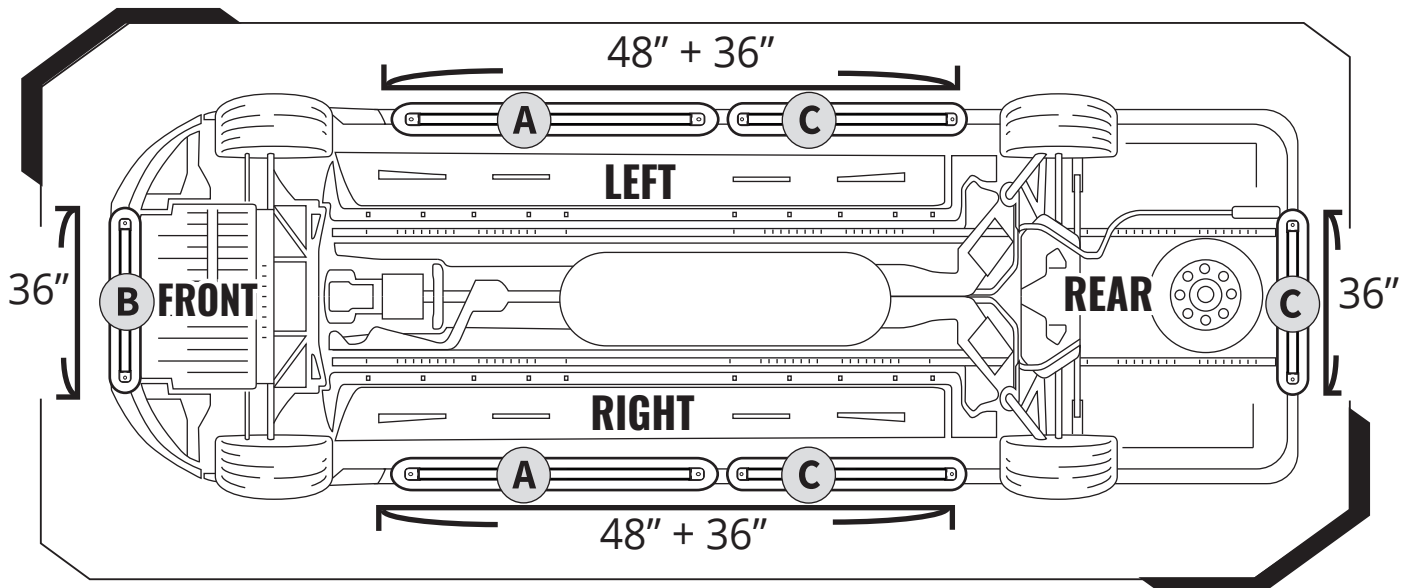
IMPORTANT

The control box must be installed inside the vehicle as it is not waterproof. Avoid installation areas of the engine bay + heated surfaces.

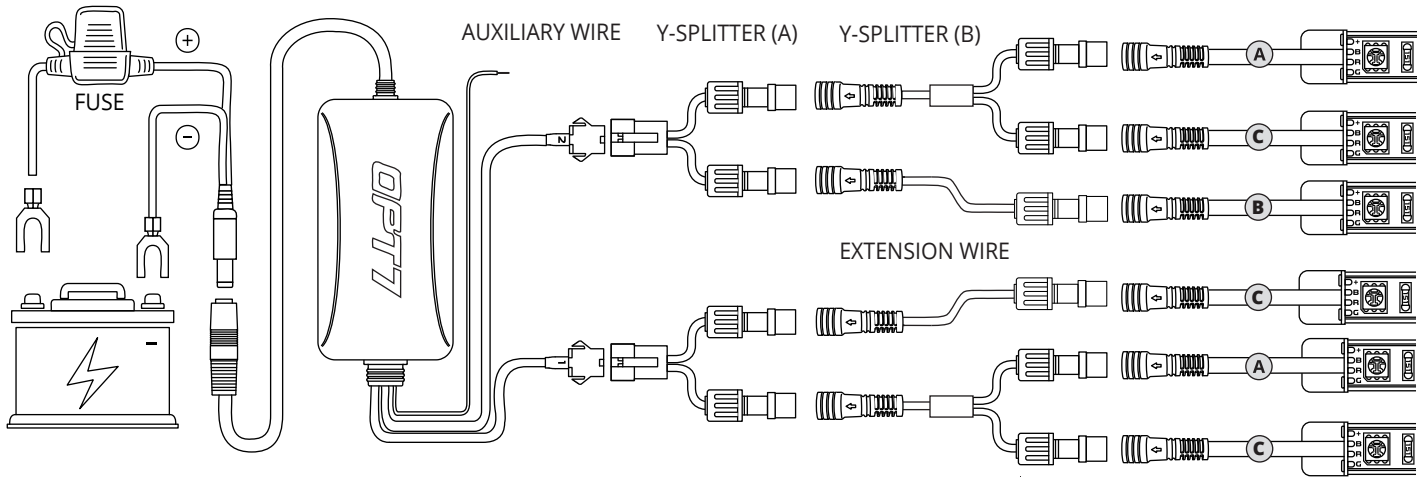


IMPORTANT

The spare tire is usually located at the bottom of the car. Please pay attention to the position of the spare tire of your vehicle after installing the rear light bar. Please find a suitable place to install the rear light bar to prevent the spare tire from being used normally.

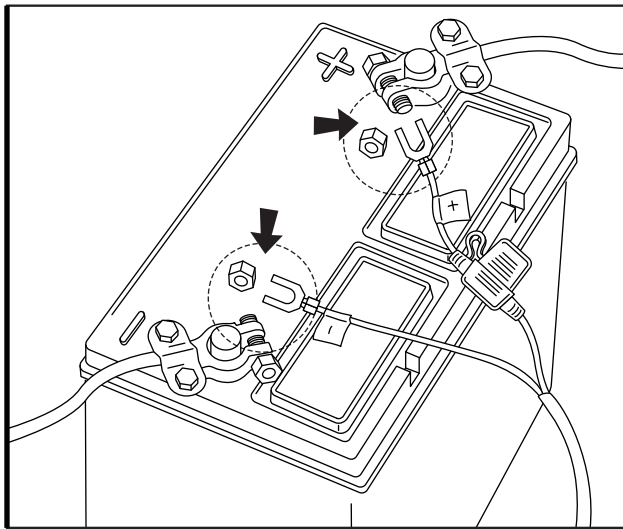


EXAMPLES



The extension wires are on the led bar.
Lay out the bars to measure the length prior to install for a successful installation.

- (B)** 1 x 36" (two-section movable 18") LED Bar + 8ft extension wire
- (A)** 1 x 48" (two-section movable 24") LED Bar + 8ft extension wire +
- (C)** 1 x 36" (two-section movable 18") LED Bar + 18ft extension wire
- (A)** 1 x 48" (two-section movable 24") LED Bar + 8ft extension wire +
- (C)** 1 x 36" (two-section movable 18") LED Bar + 18ft extension wire
- (C)** 1 x 36" (two-section movable 18") LED Bar + 18ft extension wire



HOW TO CONNECT POWER HARNESS TO YOUR VEHICLE

- Connect the Red wire (+) of power harness to the vehicle battery's positive terminal.
- Connect the Black wire (-) of power harness to the vehicle battery's negative terminal or an unpainted area on your vehicle's frame.

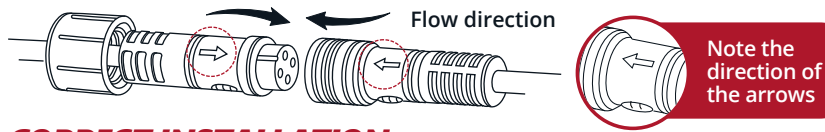


WARNING

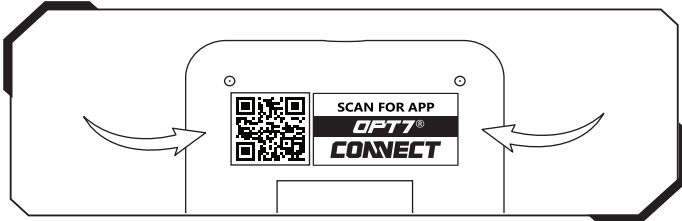
Please ensure the Underglow LED Bars / Control Box / Wirings are all mounted away from heated surfaces exceeding from 85°C or 185°F.

⚠ IMPORTANT ⚠

**BE SURE TO CONFIRM THE CORRECT DIRECTION OF THE ARROW!!
TO AVOID PRODUCT DAMAGE DUE TO INCORRECT INSTALLATION.**

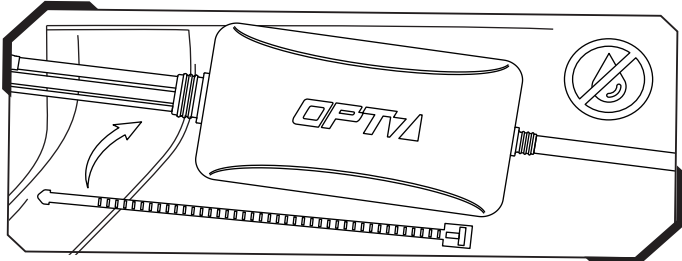


CORRECT INSTALLATION



STEP 3

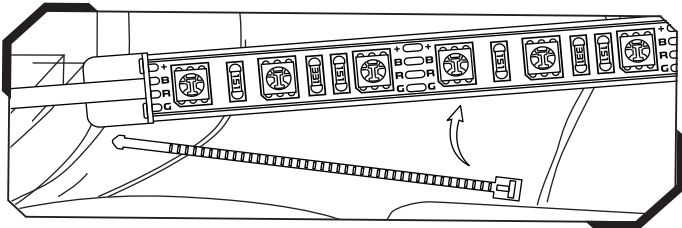
Scan the QR code on the back of the control box to download the app.



STEP 4

Secure Control box in desired location with Velcro or zip ties.

* The control box is NOT waterproof. Tuck it away from the elements.



STEP 5

Secure the light bars using the zip ties to tie all the wiring away from the moving components.

AUX WIRING FOR A DOOR/DOME LIGHT



Please scan to see a detail instruction on Door Assist Sync or go to <https://wintis.ladesk.com/549690-AURA-Door-AssistAUX-Installation-Guide>

OPT7 CONNECT APP

- Colors
- Modes
- Door Assist
- Support
- Ability to control up to 4 devices at once

QR CODE TO DOWNLOAD



SCAN FOR APP
OPT7[®]
CONNECT



Download the free "OPT7 CONNECT" App

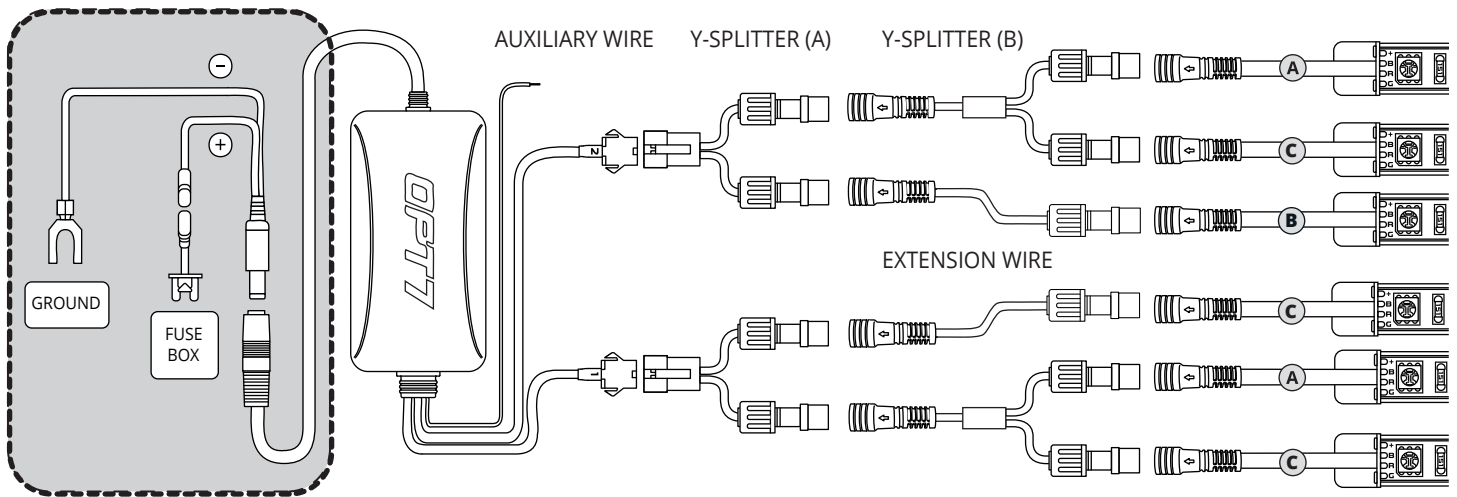
- App iOS (12+) available on App Store
- Android (6 +) available on Google Play

OPTION METHOD

To power the kit using an switched 10 AMP fuse tap method, you may purchase the AURA Universal Replacement Fuse Tap Adapter Set & Power Wire on our website. (*Not included; sold separately.)

Feel free to contact us using the link below for product inquires or installation support.

OPT7 SUPPORT TEAM: <https://www.opt-7.com/pages/customer-support>



WARNING

1. Connecting to more than 10 AMP will override the kit and cause early failure, ensure it is 10 AMP or less !!
2. Please ensure the Underglow LED Bars / Control Box / Wirings are all mounted away from heated surfaces exceeding from 85C or 185F.

DISCLAIMER

OPT7 Lighting is not liable for damages or personal injuries while installing this product. The Installation Guide is intended as assistance to reduce setup time. OPT7 Lighting assumes no responsibility for improper installation. If you are unfamiliar with your vehicle or inexperienced with aftermarket upgrades, please seek professional assistance.

OPT7 recommends installation for safety and guidance. Modified installations or installation recommendations not specified by OPT7 Lighting will void product warranty.